

SC3

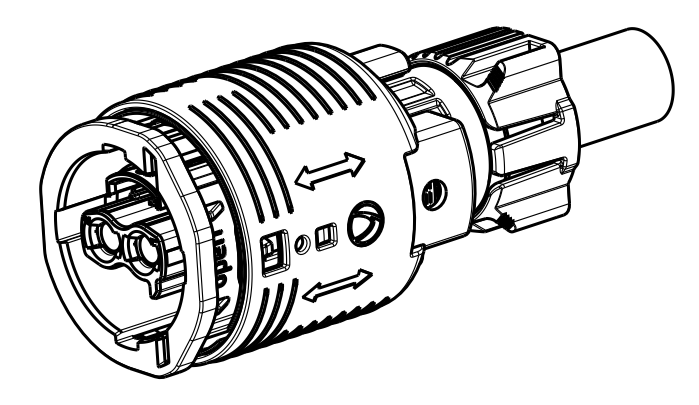
CONTINUITY TEST
Durchgangsprüfung
PIN ASSIGNMENT
Pinbelegung
DIELECTRIC STRENGTH 3000VAC BETWEEN HIGH VOLTAGE TERMINALS AND HIGH VOLTAGE TERMINAL TO THE SHIELDING.
Spannungsfestigkeit 3000VAC zwischen HV Kontakten und HV Kontakte zur Schirmung.
QUERY CODING
Kodierungsabfrage

Bemerkungen:
COMMENTS:
-Massgebend ist der deutsche Text
-GERMAN TEXT IS VALID
-Kodierung A gezeichnet
CODING A IS DRAWN
-Zugehoeriger AV Aggregatanschluss siehe HA-Nr. 808-188-...
-MATCHING INTERFACE PLUG SOCKET SEE HA-Nr. 808-188-...
-Fertigung nach Verarbeitungsspezifikation EVS-100096
-MANUFACTURING ACC. TO PROZESS SPECIFICATION EVS-100096

Laengentoleranzen der Leitungen:
TOLERANCE OF WIRE LENGTH:
0mm - 999mm ±10
1000mm - 4999mm ±20
5000mm - * ±50
*mit Hirschmann abzustimmen/HAS TO BE CLARIFIED WITH HIRSCHMANN

06	3	DELETED INACTIVE/NOT LISTED INDICES AND ADDED NEW INDICES B86/B87/B88;	17-10-2023	SGE
05		Added Indices B81/B82/B83/B84/B85;	12-01-2022	ZFA
04		Added text: Informal Log1;	18-11-2021	STS
03		Changed all indices to Bxx;	13-10-2021	STS
02		Added Indices A76/A77/A78/A79/A80;	23-09-2021	STS
01		DRAWING UPDATES;	18-11-2020	LOG
00		Ersterstellung / Initial edition	28-10-2020	TG2

DESCRIPTION OF CHANGE ÄNDERUNGSBESCHREIBUNG	DATE DATUM	DRAWER ZEICHNER
TOLERANCES ACCORDING DRAWING TOLERANZEN NACH ZEICHNUNG	TITLE / BENENNUNG	
GENERAL TOLERANCES: ALL DIMENSIONS IN MILLIMETERS ISO 2768-MS	HPS40-2 2x2 FN MCC	
GEOMETRIC TOLERANCES: FORM-, UND LAGE-TOLERANZEN DIN ISO 1101	SUBTITLE / ZUSATZ TEXT	
DRAWN GEZEICHNET 17.10.2023 S.Özcelik	FORMAT A1	
CHECKED GEPRÜFT 25.10.2023 R. Hoer-Murati	DRAWING NO. ZEICHNUNGSNUMMER P.02878	
RELEASED FREIGEgeben 25.10.2023 R. Hoer-Murati	SHEET / BLATT 1/1	
HIRSCHMANN AUTOMOTIVE		
DRAWING NO. 908-321-...		



908-321-B86	812-141-B86	A	15000±50	2x6mm ²	Coroplast	06
908-321-B81	812-141-B81	A	10000±50	2x6mm ²	Coroplast	
908-321-B45	812-141-B45	Z	5000±50	2x6mm ²	Coroplast	06
908-321-B44	812-141-B44	D				
908-321-B43	812-141-B43	C				
908-321-B42	812-141-B42	B				
908-321-B41	812-141-B41	A				
908-321-B26	812-141-B26	A	3000±20	2x6mm ²	Coroplast	
908-321-B16	812-141-B16	A	3000±20	2x6mm ²	Leoni	
908-321-B11	812-141-B11	A	1000±20	2x6mm ²	Coroplast	
908-321-B01	812-141-B01	A	1000±20	2x6mm ²	Leoni	
HA PART NUMBER	SUBASSEMBLY	CODING	L [mm]	CROSS-SECTION	MANUFACTURER	

908-321-B87	812-141-B87	A	15000±50	2x4mm ²	Coroplast	06
908-321-B76	812-141-B76	A	10000±50	2x4mm ²	Coroplast	
908-321-B60	812-141-B60	Z	5000±50	2x4mm ²	Coroplast	06
908-321-B59	812-141-B59	D				
908-321-B58	812-141-B58	C				
908-321-B57	812-141-B57	B				
908-321-B56	812-141-B56	A				
908-321-B51	812-141-B51	A	3000±20	2x4mm ²	Coroplast	
908-321-B46	812-141-B46	A	1000±20	2x4mm ²	Coroplast	
908-321-B61	812-141-B61	A	1000±20	2x2,5mm ²	Coroplast	
HA PART NUMBER	SUBASSEMBLY	CODING	L [mm]	CROSS-SECTION	MANUFACTURER	

908-321-B88	812-141-B88	A	15000±50	2x2,5mm ²	Coroplast	06
908-321-B75	812-141-B75	Z	5000±50	2x2,5mm ²	Coroplast	06
908-321-B74	812-141-B74	D				
908-321-B73	812-141-B73	C				
908-321-B72	812-141-B72	B				
908-321-B71	812-141-B71	A				
908-321-B66	812-141-B66	A	3000±20	2x2,5mm ²	Coroplast	
908-321-B61	812-141-B61	A	1000±20	2x2,5mm ²	Coroplast	
HA PART NUMBER	SUBASSEMBLY	CODING	L [mm]	CROSS-SECTION	MANUFACTURER	

This material contains information protected by copyright. Any reproduction or translation into another language without the prior written consent of Hirschmann is prohibited.

Plot from: T:\MATER on 26.10.2023 Doc.Vers. 06 Valid from: 20231023 Valid until: ... Status: Freigegeben