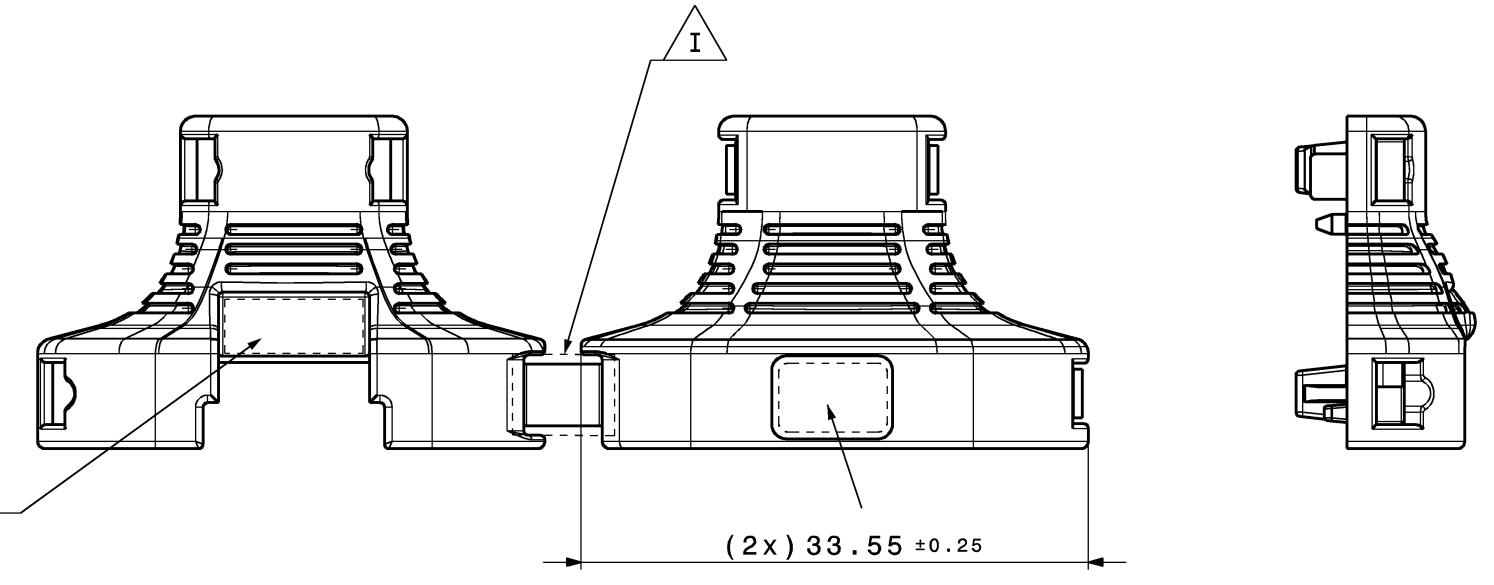


EDITION AXIAL

MOLD CAVITY NO.  
FONT LEANT ON DIN 1451 1E2  
RECESSED/RAISED

DATE STAMP  
RECESSED/RAISED

HIRSCHMANN NO.  
FONT LEANT ON DIN 1451 1E1  
RECESSED/RAISED



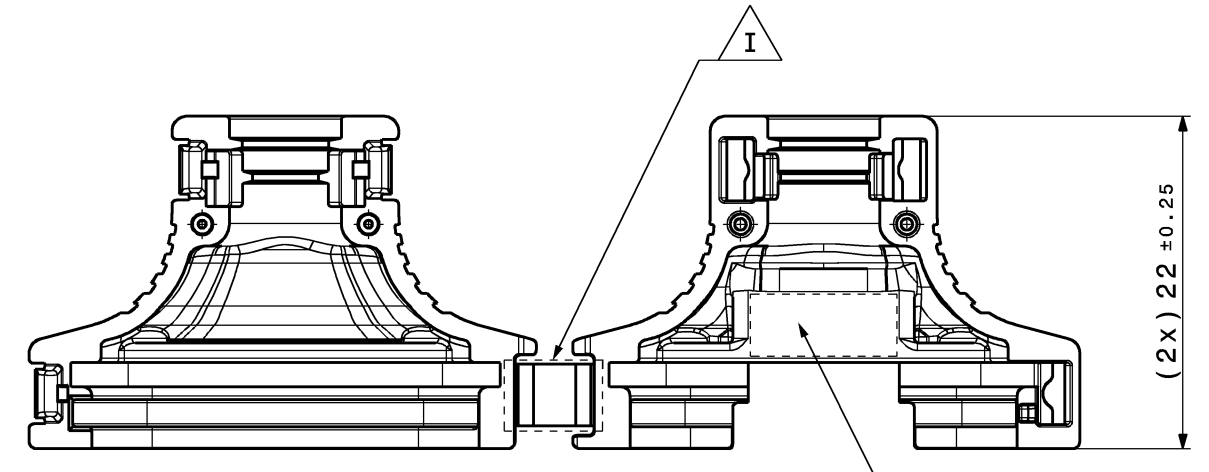
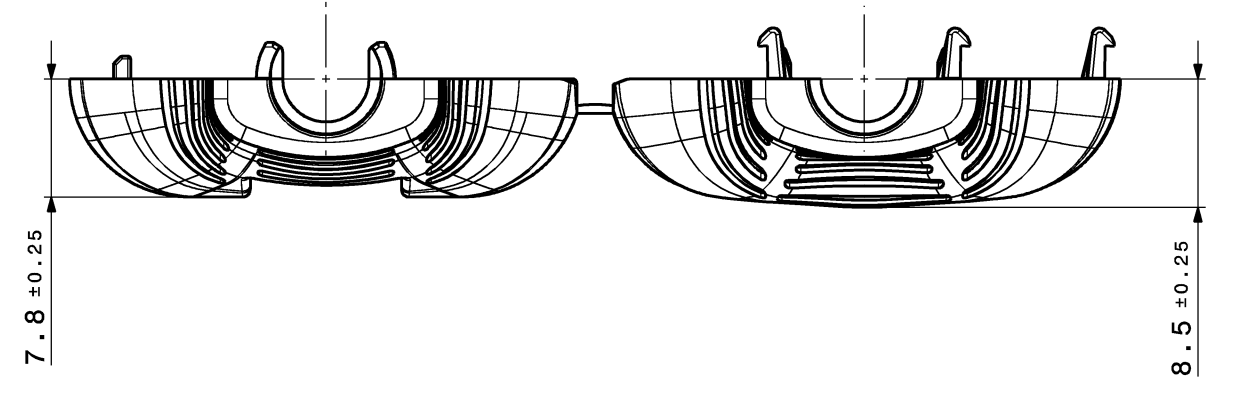
(2x) 33.55 ±0.25

FIELD RECESSED/ RAISED

HIRSCHMANN SIGN RECESSED/ RAISED

MATERIAL LABEL FONT LEANT ON DIN 1451 1E1 RECESSED/RAISED

MATERIAL: PA6  
RECESSED/ RAISED

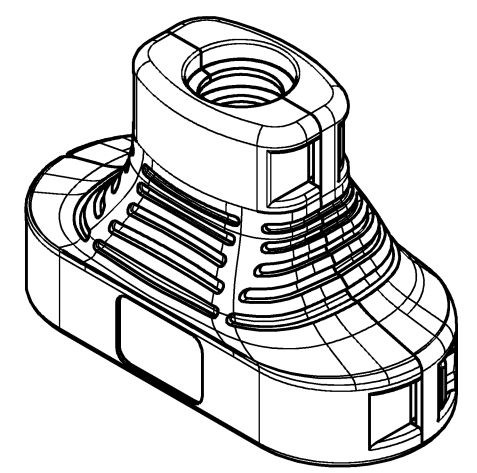


HIRSCHMANN-REVISION LEVEL RECESSED/RAISED

HIRSCHMANN-PLANT IDENTIFICATION RECESSED/RAISED

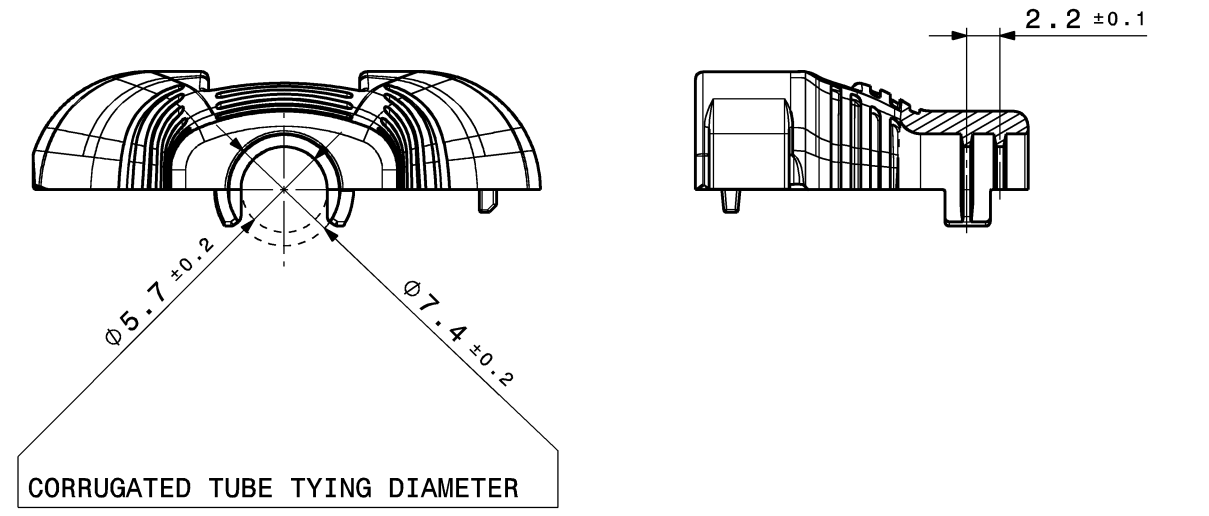
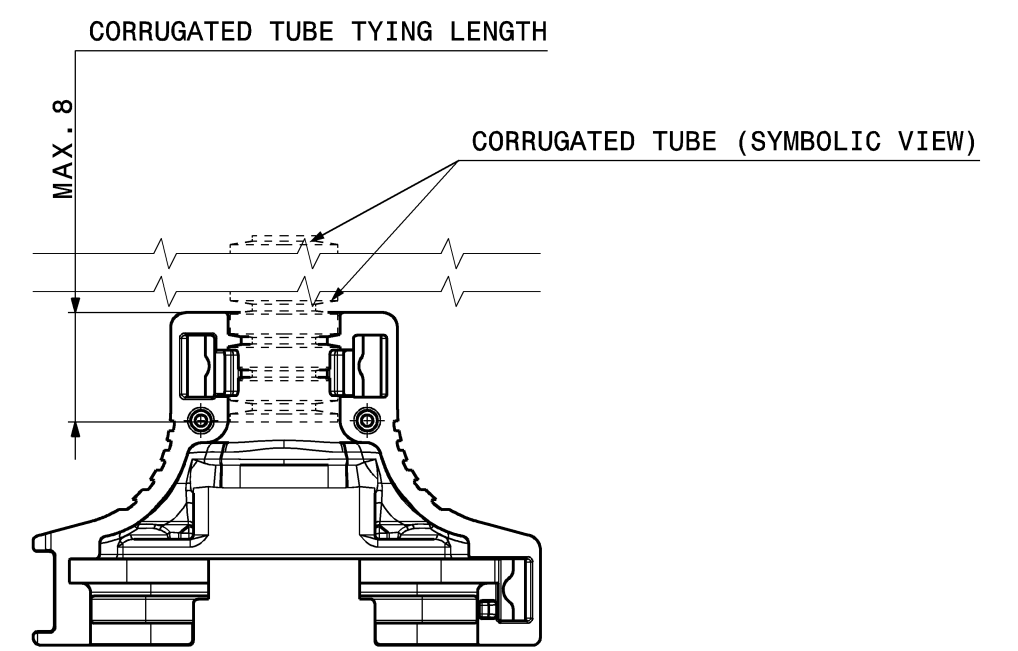
ISOMETRIC VIEW\*

\*CLOSED VIEW; DOES NOT CORRESPOND TO THE DELIVERY STATUS.



MOUNTING GEOMETRY FOR CORRUGATED TUBE NW 4.5

HALF-SHELLS VIEW / SYMBOLIC IMAGE

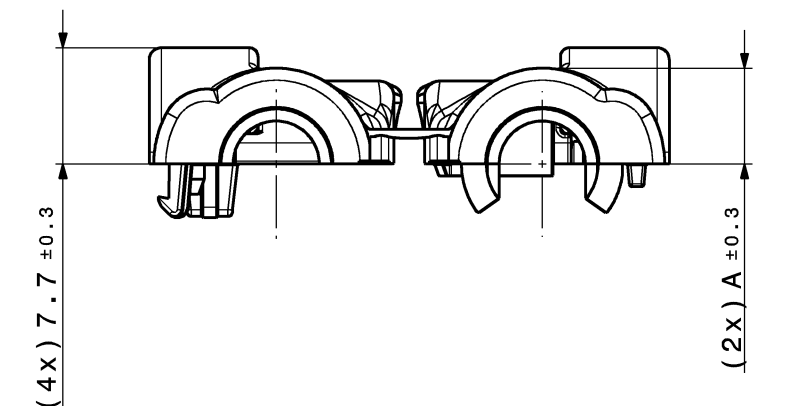
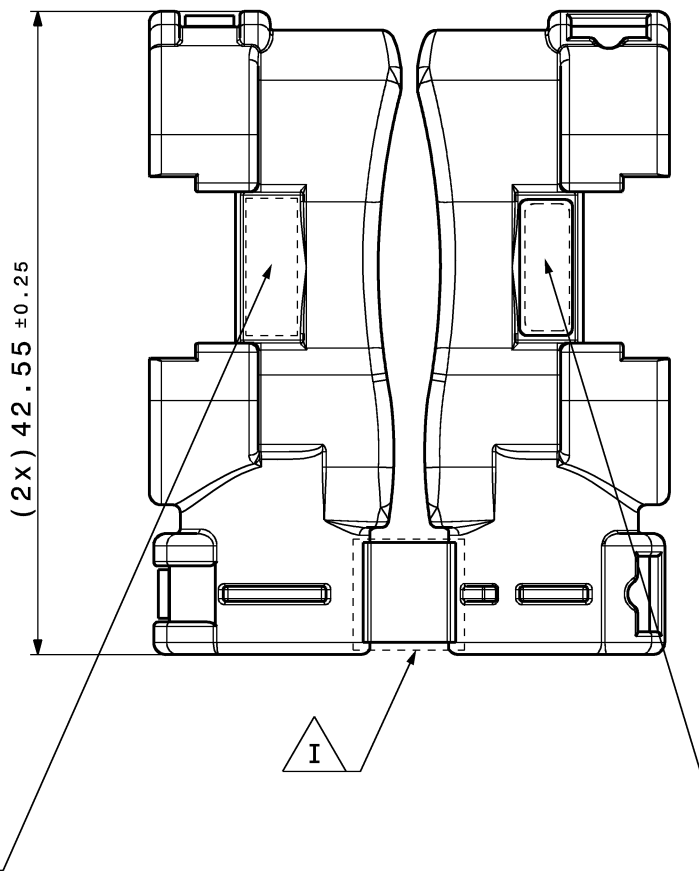


EDITION 90°

MOLD CAVITY NO.  
FONT LEANT ON DIN 1451 1E2  
RECESSED/RAISED

DATE STAMP  
RECESSED/RAISED

HIRSCHMANN NO.  
FONT LEANT ON DIN 1451 1E1  
RECESSED/RAISED

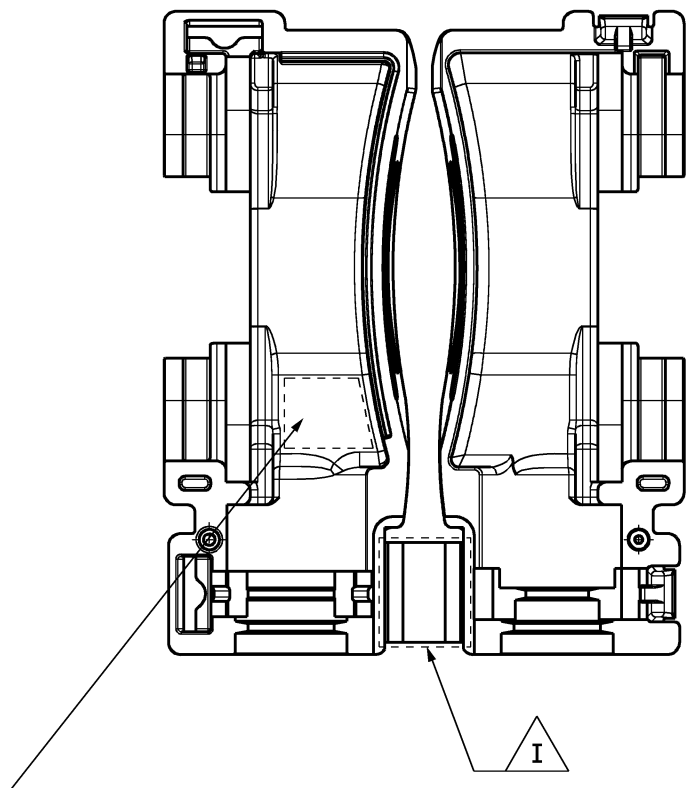


FIELD RECESSED/ RAISED

HIRSCHMANN SIGN RECESSED/ RAISED

MATERIAL LABEL FONT LEANT ON DIN 1451 1E1 RECESSED/RAISED

MATERIAL: PA6  
RECESSED/ RAISED

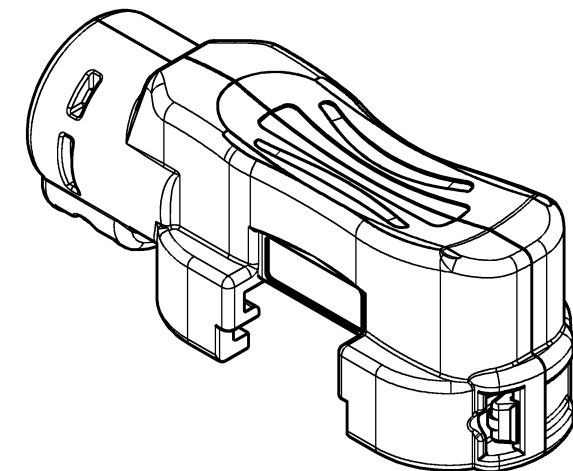


HIRSCHMANN-REVISION LEVEL RECESSED/RAISED

HIRSCHMANN-PLANT IDENTIFICATION RECESSED/RAISED

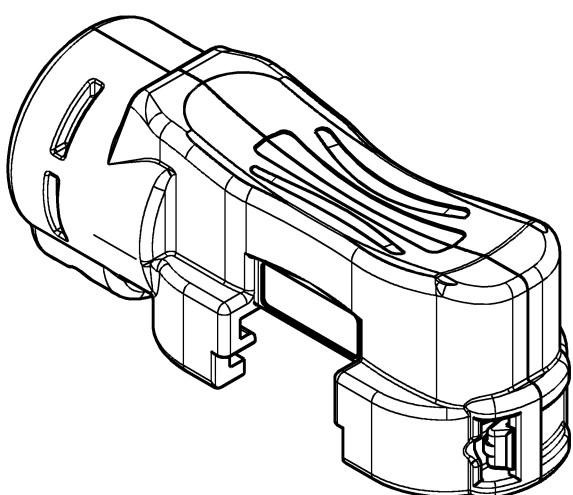
ISOMETRIC VIEW NW 4.5\*

\*CLOSED VIEW; DOES NOT CORRESPOND TO THE DELIVERY STATUS.



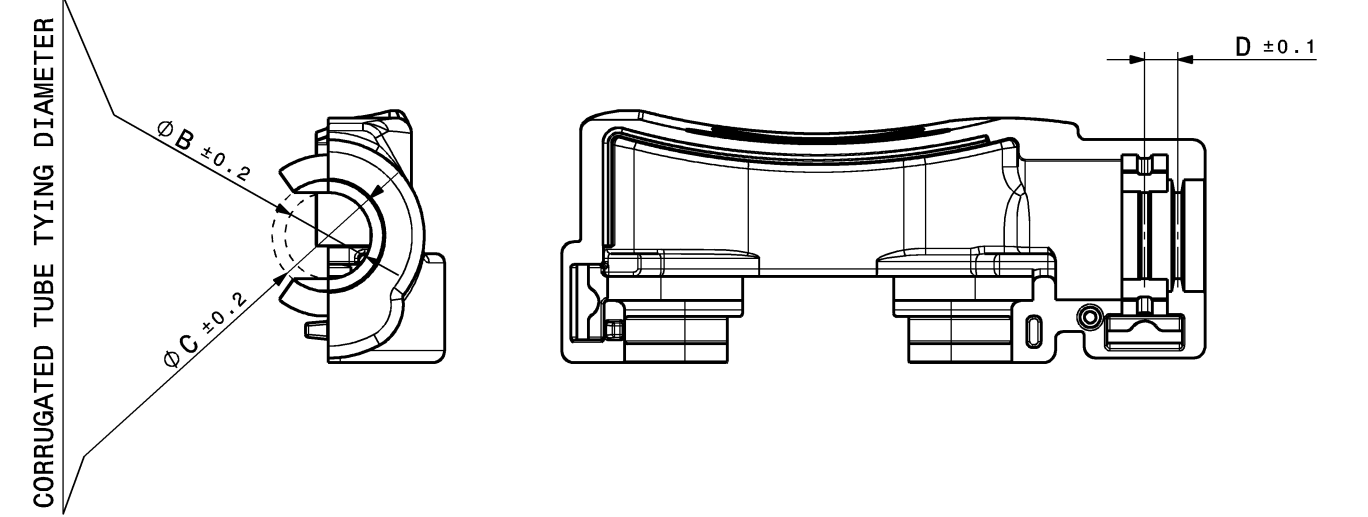
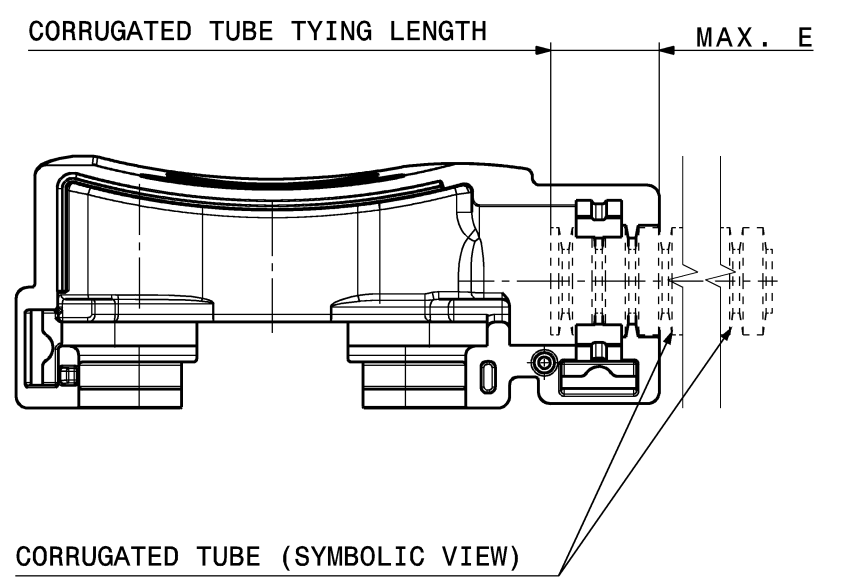
ISOMETRIC VIEW NW 7.5\*

\*CLOSED VIEW; DOES NOT CORRESPOND TO THE DELIVERY STATUS.



MOUNTING GEOMETRY FOR CORRUGATED TUBE NW 4.5 / NW 7.5

HALF-SHELLS VIEW / SYMBOLIC IMAGE



GENERAL TOLERANCES FOR UNTOLERATED DIMENSIONS:

1. ANGLE-DIMENSIONS [°]  
TOLERANCE FOR ALL ANGLE-DIMENSIONS: ±2°

2. RADII: [mm]

TO 1	1-3	3-10	10-20	20-30	30-50
±0.2	±0.3	±0.4	±0.5	±1	±2

3. DISTANCE-DIMENSIONS: DIN 2768-mH

4. GENERAL TOLERANCE FOR SYMMETRY:  $\frac{\square}{0.2}$

KEY-FACTS:

TEMPERATURE AREA ACC. LV124 2013-02	TEMPERATURE COLLECTIVE 4
FLAME RESISTANCE ACC UL94 (ACC. DATA SHEET)	HB

COMMENTS:

- EDITION AXIAL AND 90° IS SHOWN
- DELIVERY STATUS AS DRAWN AS BULK GOOD.
- ENGLISH TEXT IS VALID
- MISSING DIMENSIONS SEE CAD-MODEL. THEREFORE THE GENERAL-TOLERANCES ARE VALID
- DESIGN DEVIATIONS COMPARED WITH DETAIL DRAWINGS ARE INSIGNIFICANT. THE DETAIL DRAWINGS ARE VALID.
- PART CORRESPONDS TO EU SCRAP CAR GUIDELINE 2000/53/EG
- CHANGES BASED ON TECHNICAL PROGRESS ARE IN THE DECISION OF THE MANUFACTURER! DETAILS OF IMPLEMENTATION ARE LEFT TO MANUFACTURER.
- MAX. 30% RECLAIM PERMITTED
- PART IDENTIFICATION SIMILAR DIN 1451
- DRAFT ANGLE WITHIN TOLERANCE.
- MAX. SPLIT LINE 0.2
- MAX. BURR 0.3

MARKED AREA: SURFACE STRUCTURE CHANGES (WITHOUT ANY EFFECT ON THE FUNCTIONALITY) ARE POSSIBLE, ESPECIALLY AFTER MOUNTING.

707-138-501	A	PA6	7.8	7.6	10.3	2.7	9	90°	-3.5	BLACK SIMILAR RAL9005	Sway 1.2 Protective Cap 90° NW7.5	872-860-...00 Sway 1.2 SealStar F Connector	5x 0.75mm <sup>2</sup>	5x 1mm <sup>2</sup>
707-137-501	A		6.35	5.7	7.4	2.2	8		-3.2	BLACK SIMILAR RAL9005	Sway 1.2 Protective Cap 90° NW4.5	805-123-...00 Sway 1.2 SealStar F Connector	5x 0.75mm <sup>2</sup>	5x 1mm <sup>2</sup>
707-136-501	A		-	-	-	-	-		AXIAL	-2.7	BLACK SIMILAR RAL9005	Sway 1.2 Protective Cap Axial NW4.5	805-992-...00 Sway 1.2 SealStar HMK F Connector	5x 0.75mm <sup>2</sup>
PART NUMBER: REVISION:		MATERIAL:	DIMENSION					EDITION:	WEIGHT (g)	COLOR:	COMMENT:	MATCHING HIRSCHMANN CONNECTOR	MAX. ASSIGNMENT CABLE TYPE FLR	
HIRSCHMANN AUTOMOTIVE														

00	Ersterstellung / Initial edition	15.12.2020	SBD
Test instructions			
Crude state	Material according drawing	Final state	Gross weight g/pc Final weight g/pc
Material-Nr. / No.	Tolerances according drawing	Surface	Scrap
Edges		DIN ISO 13715	Scale 2:1
Geometric tolerances		DIN ISO 1101	CDI
Drawn	15.12.2020	S.Bott	Title
Checked	12.01.2021	M.Kalib	5way SealStar Protective Cap NW 4.5/7.5
Released	12.01.2021	M.Kalib	Type
HIRSCHMANN AUTOMOTIVE		Origin	Replacement
Drawing - No. 707-136-...00		Sheet 1 of 1	
Controlled status available in the system!			

This material contains information protected by copyright. It is not to be reproduced or transmitted in any form or by any means, electronic, mechanical, photocopying, recording, or by any information storage and retrieval system, without the prior written consent of Hirschmann Automotive.

Pic from: DBSCHOF on 20210113 Valid until: ... Status: Kundenfreigabe