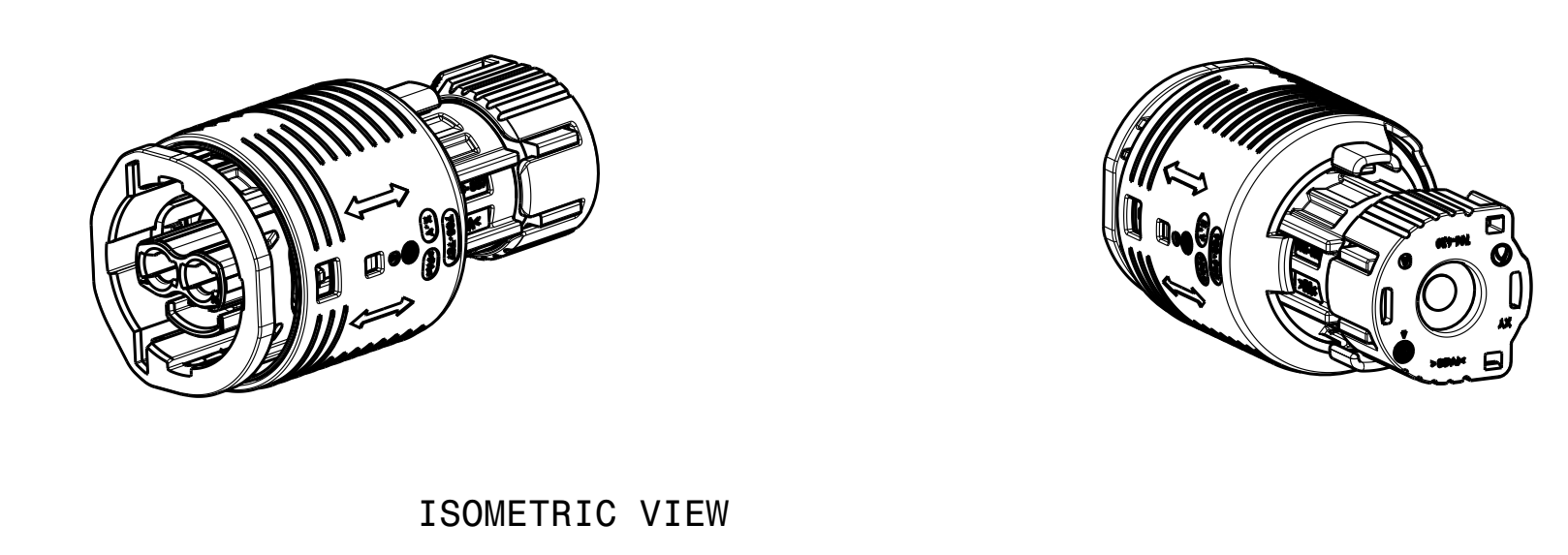
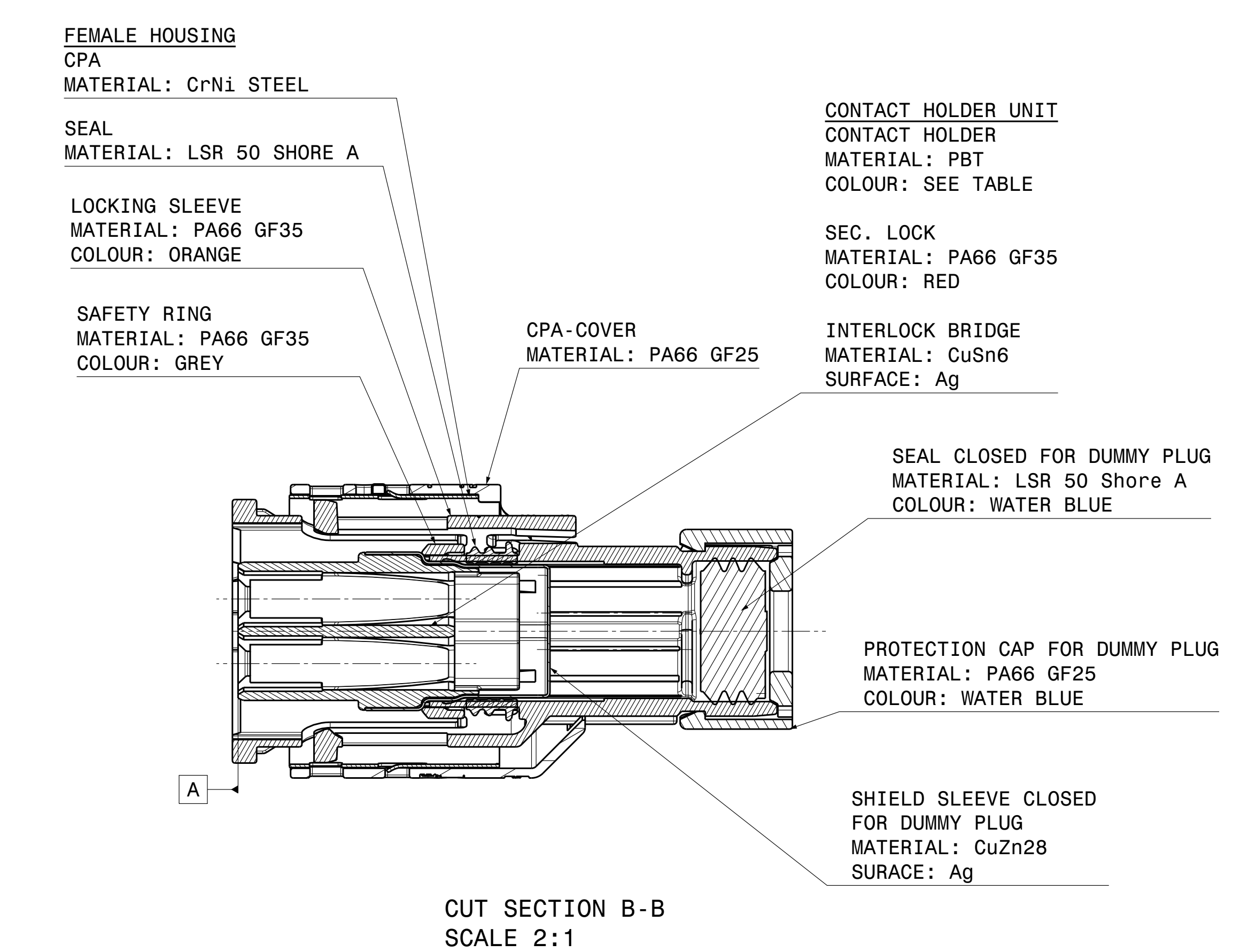
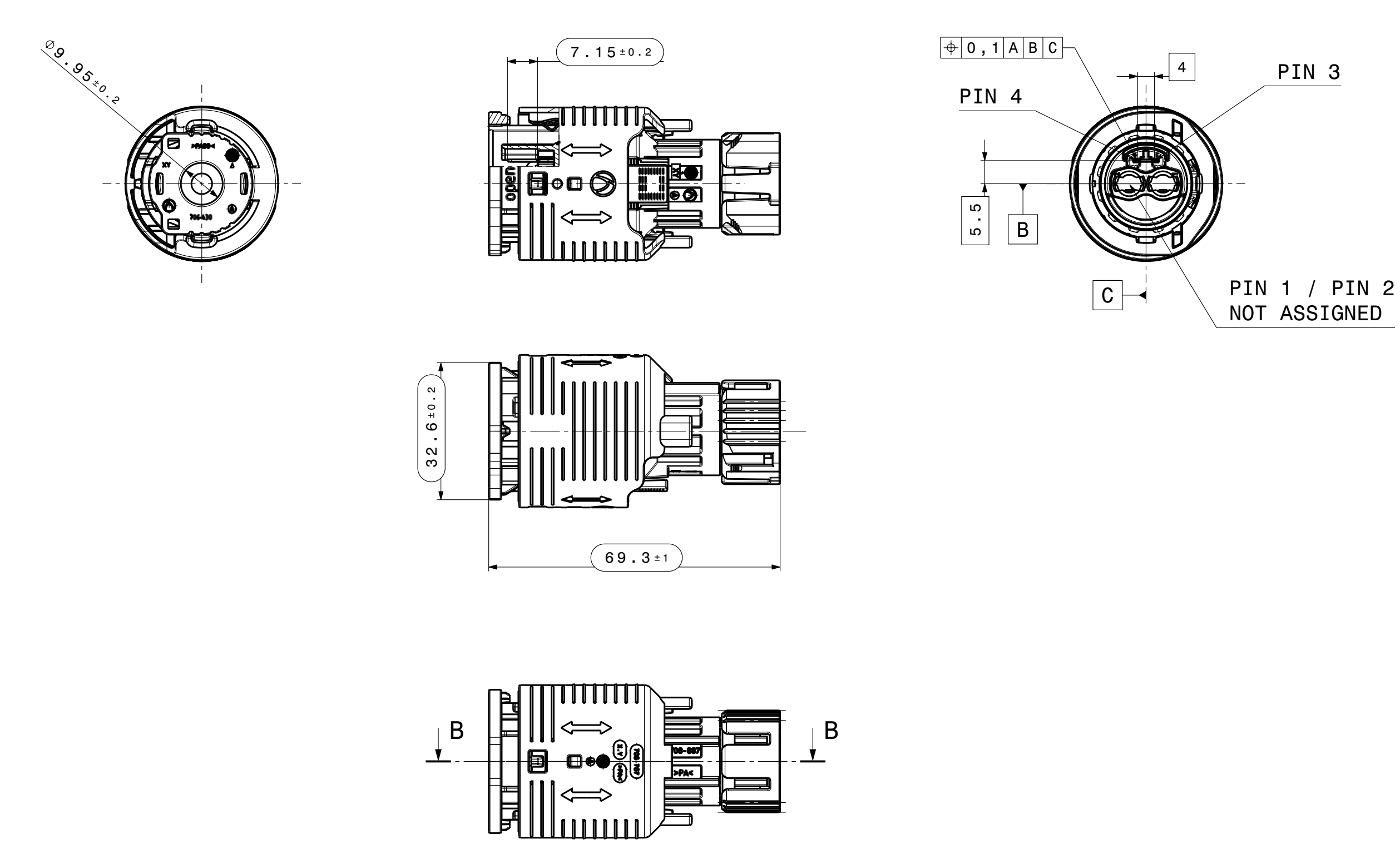


	SUPPLIER NUMBER	
ACCORDING TO INTERFACE HPS40-2 2+2PIN	808-188-...	00
MATCHING TO ZB PLUG SOCKET HPS40-2 2+2PIN	807-652-...	00
	809-366-...	00

HA-ORDER-NO.	CODING	VARIANT	COLOUR
809-472-551	Z	B	WATER BLUE
809-472-501	Z	A	



**GENERAL TOLERANCES FOR UNTOLERATED DIMENSIONS:**

- ANGLE-DIMENSIONS [°]: TOLERANCE FOR ALL ANGLE-DIMENSIONS:  $\pm 2^\circ$
- RADII: [mm]

t11	1-3	3-10	10-20	20-30	30-50
$\pm 0.2$	$\pm 0.3$	$\pm 0.4$	$\pm 0.5$	$\pm 1$	$\pm 2$
- DISTANCE-DIMENSIONS: DIN 2768-mH
- GENERAL TOLERANCE FOR SYMMETRY:  $\pm 0.2$

**COMMENTS:**

- ENGLISH TEXT IS VALID
- ALLOWABLE AMBIENT TEMPERATURE RANGE:  $-40^\circ\text{C}$  TILL  $140^\circ\text{C}$  WITHIN A TIME RANGE OF 8000H, THE SPECIFIC CHARACTERISTIC CHANGES OF THE PLASTIC ACC. PLASTIC DATA SHEET
- DESIGN DEVIATIONS COMPARED WITH DETAIL DRAWINGS ARE INSIGNIFICANT. THE DETAIL DRAWINGS ARE VALID.
- DIMENSIONS MARKED WITH REPORT (TSIR) ARE DOCUMENTED IN THE INITIAL SAMPLE INSPECTION REPORT (TSIR). UNMARKED DIMENSION ARE ALSO MEASURED BUT NOT DOCUMENTED IN THE TSIR. VARIATIONS MUST BE CORRECTED.
- DRAFT ANGLE WITHIN TOLERANCE.
- MAX. SPLIT LINE 0.2
- MAX. BURR 0.3

NO.	DATE	DESCRIPTION OF CHANGES	DATE	BY
01	17.02.2023	ADDED INDEX - 501	17.02.2023	SKU
	31.07.2019	Erweiterung / Initial edition	31.07.2019	MD

PROJ. NO.	TOLERANCE ACCORDING DRAWING	TITLE / BENENNUNG	CATIA V5
08-00-000	ENKONFORMITÄT	Blindstecker HPS40-2	AD
08-00-000	ENKONFORMITÄT	Blindstecker HPS40-2	AD
08-00-000	ENKONFORMITÄT	Blindstecker HPS40-2	AD

**HIRSCHMANN AUTOMOTIVE**  
 DRAWING NO. 809-472-...00  
 SCALE: 1/1  
 SHEET / BLATT 1/1