

PLUG SOCKET 90° HPS40-2 2+2WAY
 HA-NO.: SEE TABLE
 SEE HA DRAWING: 809-366-...00

PLASTIC HOUSING

SCREW-ON BUSHINGS

SCREEN SLEEVE
 SURFACE: Ag

HOLDING RING

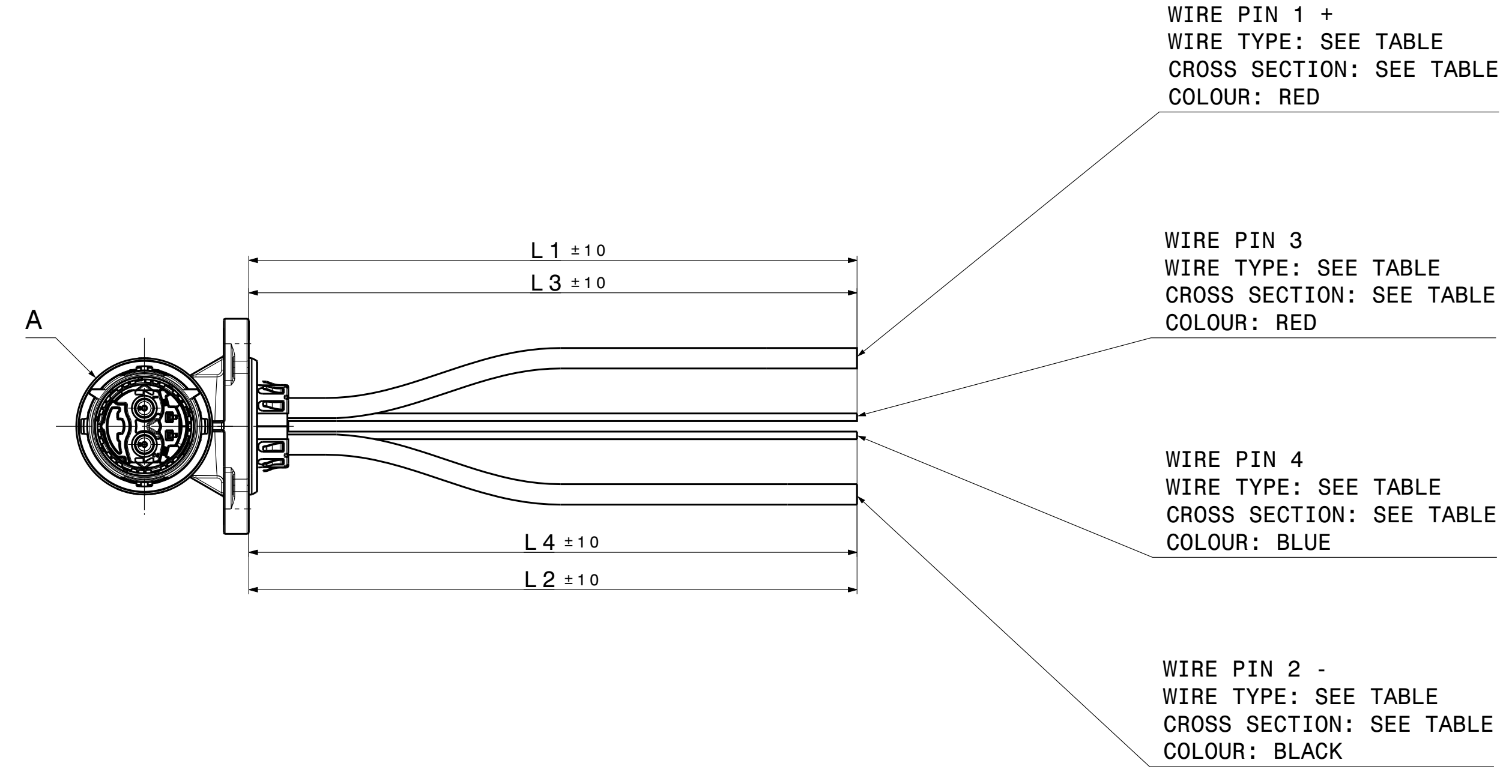
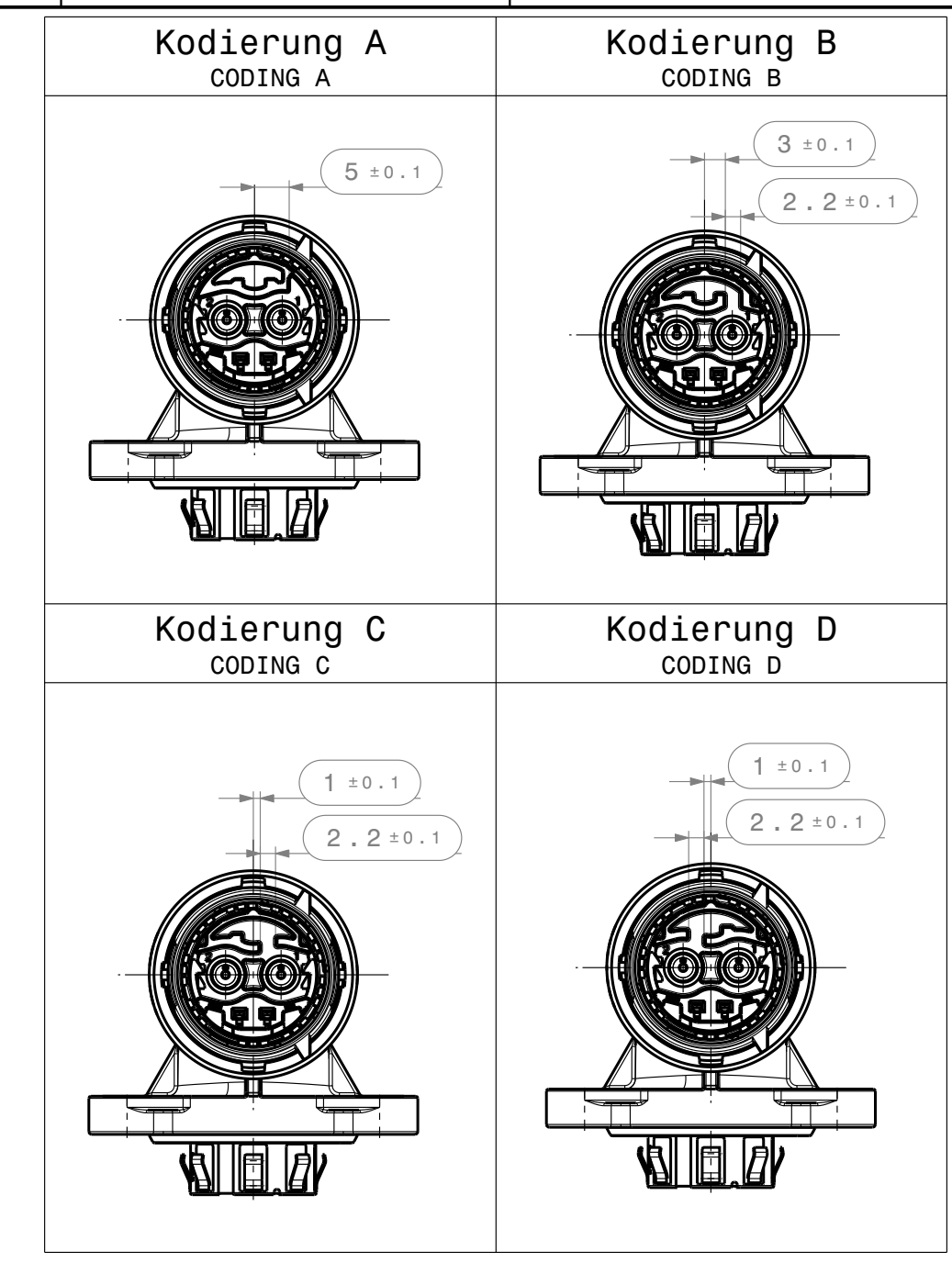
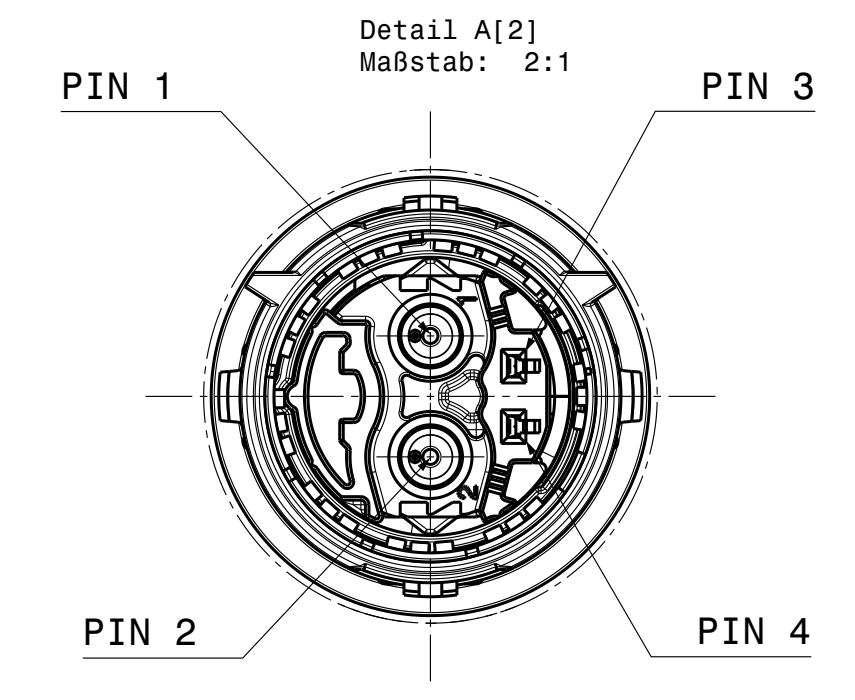
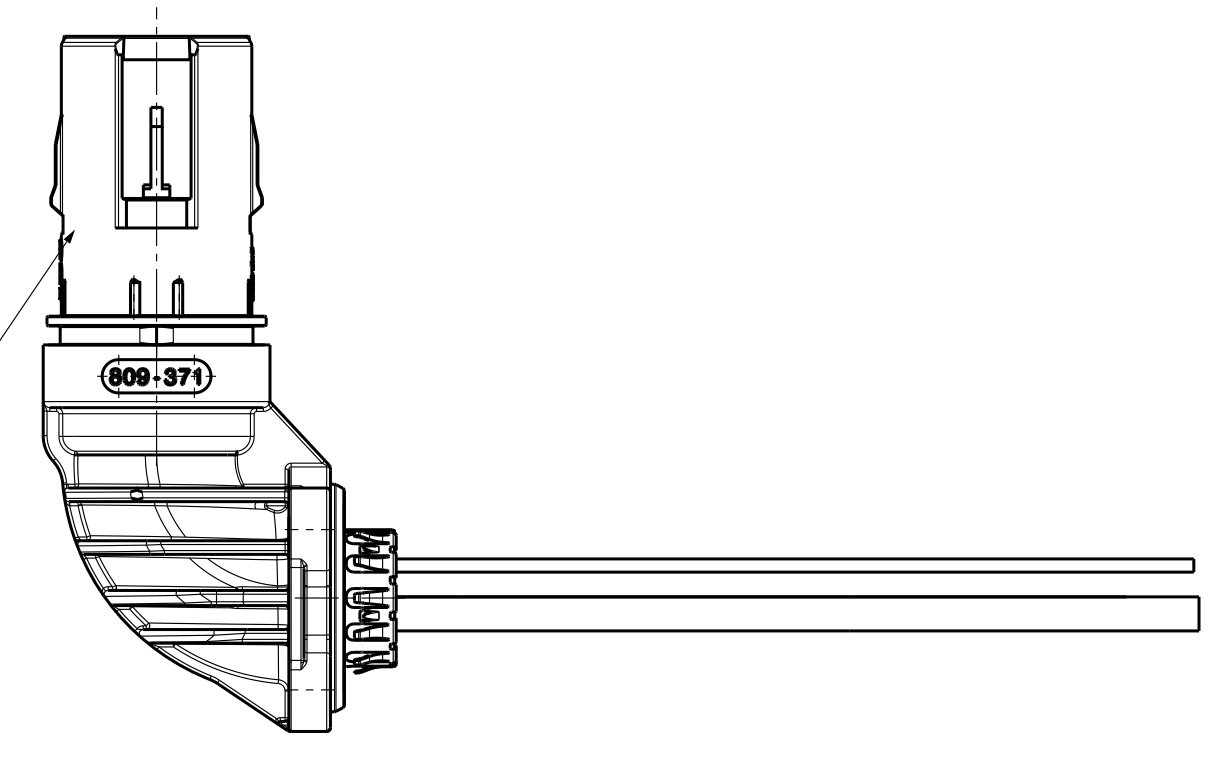
MALE CONTACT HOLDER WITH SECONDARY LOCK

HCT4 SHORT MALE CONTACT 4mm
 SURFACE: Ag

SCREEN SLEEVE AGGREGATE SIDE
 SURFACE: Ag

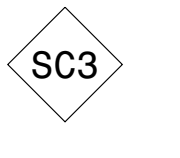
SCRREN SLEEVE PLUG SIDE
 SURFACE: Ag

AXIAL SEAL



PART NUMBER	CODING	CROSS SECTION	L1	L2	Wire type (L1+L2)	L3	L4	CROSS SECTION	Wire type (L3+L4)	SUBASSEMBLY									
906-992-524	D	2,5 mm ²	1500	1500	0,35 mm ²	Coficab	FHLR2X T4	809-553-524	809-553-523	809-553-522									
906-992-523	C																		
906-992-522	B																		
906-992-521	A																		
906-992-514	D	4 mm ²	1500	1500	0,35 mm ²	Coficab	FHLR2X T4	809-553-514	809-553-513	809-553-512									
906-992-513	C																		
906-992-512	B																		
906-992-511	A																		
906-992-504	D	6 mm ²	500	500	0,35 mm ²	Coficab	FHLR2X T4	809-553-504	809-553-503	809-553-502									
906-992-503	C																		
906-992-502	B																		
906-992-501	A																		
906-992-322	B	2,5 mm ²	500	500	0,35 mm ²	Coficab	FHLR2X T4	809-553-322	809-553-321	809-553-312									
906-992-321	A																		
906-992-312	B																		
906-992-311	A																		
906-992-302	B	6 mm ²	500	500	0,35 mm ²	Coficab	FHLR2X T4	809-553-302	809-553-301	809-553-311									
906-992-301	A																		
906-992-254	D										2,5 mm ²	1500	1500	0,5 mm ²	G&G	FLR13Y	809-553-254	809-553-253	809-553-252
906-992-253	C																		
906-992-252	B																		
906-992-251	A																		
906-992-244	D	4 mm ²	1500	1500	0,5 mm ²	G&G	FLR13Y	809-553-244	809-553-243	809-553-242									
906-992-243	C																		
906-992-242	B																		
906-992-241	A																		
906-992-234	D	6 mm ²	500	500	0,5 mm ²	G&G	FLR13Y	809-553-234	809-553-233	809-553-232									
906-992-233	C																		
906-992-232	B																		
906-992-231	A																		
906-992-052	B	2,5 mm ²	500	500	0,5 mm ²	G&G	FLR13Y	809-553-052	809-553-051	809-553-042									
906-992-051	A																		
906-992-042	B	4 mm ²	500	500	0,5 mm ²	G&G	FLR13Y	809-553-042	809-553-041	809-553-032									
906-992-041	A																		
906-992-032	B	6 mm ²	500	500	0,5 mm ²	G&G	FLR13Y	809-553-032	809-553-031	809-553-031									
906-992-031	A																		

CONTINUITY TEST
 Durchgangsprüfung
 PIN ASSIGNMENT
 Pinbelegung
 DIELECTRIC STRENGTH 3000VAC BETWEEN HIGH VOLTAGE TERMINALS AND HIGH VOLTAGE TERMINAL TO THE SHIELDING.
 Spannungsfestigkeit 3000VAC zwischen HV Kontakten und HV Kontakte zur Schirmung.
 QUERY CODING
 Kodierungsabfrage



GENERAL TOLERANCES FOR UNTOLERATED DIMENSIONS:

1. ANGLE-DIMENSIONS [°]
 TOLERANCE FOR ALL ANGLE-DIMENSIONS: ±2°

2. RADII: [mm]

1	1-3	3-10	10-20	20-30	30-50
±0.2	±0.3	±0.4	±0.5	±1	±2

3. DISTANCE-DIMENSIONS: DIN 2768-mH

4. GENERAL TOLERANCE FOR SYMMETRY: $\sqrt[3]{0.2}$

COMMENTS:
 1. ENGLISH TEXT IS VALID
 2. DESIGN DEVIATIONS COMPARED WITH SINGLE PART DRAWINGS ARE INSIGNIFICANT.
 THE SINGLE PART DRAWINGS ARE VALID.
 3. ILLUSTRATED DIMENSIONS HAVE TO BE MEASURED IN EXTENDED CONDITION.
 4. PART CORRESPONDS TO SCRAP CAR GUIDELINE 2000/53/EG
 5. CHANGES BASED ON TECHNICAL PROGRESS ARE IN THE DECISION OF THE MANUFACTURER!
 DETAILS OF IMPLEMENTATION ARE LEFT TO MANUFACTURER.
 6. 100% ELECTRICAL CONTINUITY TEST (EOL)
 7. CODING A IS DRAWN
 8. PACKAGING: SINGLE PACKED IN AIR BUBBLE BAG

00	Ersterstellung / Initial edition	01.12.2022	BRU
01			BRU
02			BRU
03			BRU
04			BRU
05			BRU
06			BRU
07			BRU
08			BRU
09			BRU
10			BRU
11			BRU
12			BRU
13			BRU
14			BRU
15			BRU
16			BRU
17			BRU
18			BRU
19			BRU
20			BRU
21			BRU
22			BRU
23			BRU
24			BRU
25			BRU
26			BRU
27			BRU
28			BRU
29			BRU
30			BRU

DESCRIPTION OF CHANGES:
 01: 01.12.2022 BRU
 02: 02.12.2022 BRU
 03: 03.12.2022 BRU
 04: 04.12.2022 BRU
 05: 05.12.2022 BRU
 06: 06.12.2022 BRU
 07: 07.12.2022 BRU
 08: 08.12.2022 BRU
 09: 09.12.2022 BRU
 10: 10.12.2022 BRU
 11: 11.12.2022 BRU
 12: 12.12.2022 BRU
 13: 13.12.2022 BRU
 14: 14.12.2022 BRU
 15: 15.12.2022 BRU
 16: 16.12.2022 BRU
 17: 17.12.2022 BRU
 18: 18.12.2022 BRU
 19: 19.12.2022 BRU
 20: 20.12.2022 BRU
 21: 21.12.2022 BRU
 22: 22.12.2022 BRU
 23: 23.12.2022 BRU
 24: 24.12.2022 BRU
 25: 25.12.2022 BRU
 26: 26.12.2022 BRU
 27: 27.12.2022 BRU
 28: 28.12.2022 BRU
 29: 29.12.2022 BRU
 30: 30.12.2022 BRU

PROPOSED BY: [Name]
 CHECKED BY: [Name]
 DRAWN BY: [Name]
 DATE: 01.12.2022
 SCALE: 1/2

HIRSCHMANN AUTOMOTIVE