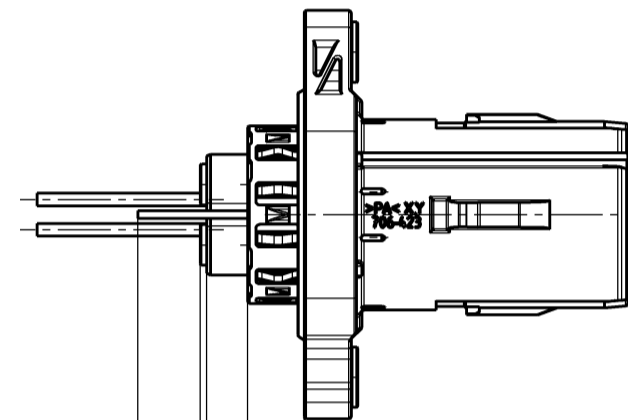
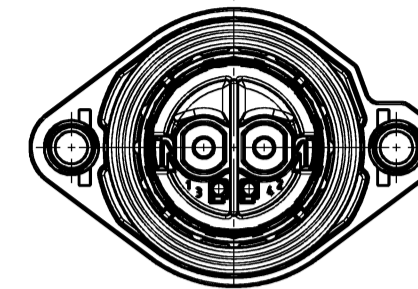
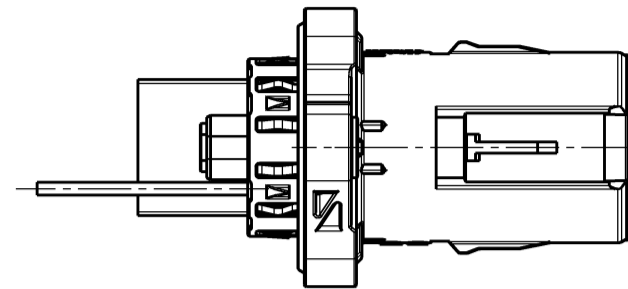
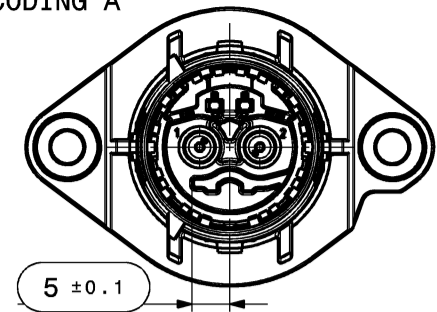


Optional:
PIN3 / PIN4
MCON Buchsenkontakt 1.2 mit HVIL Stantzgitter
Oberflaeche: Ag
OPTIONAL:
MCON FEMALE CONTACT 1.2 WITH HVIL LEAD FRAME
SURFACE: Ag

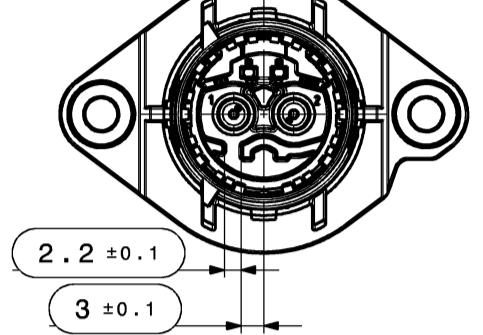


7.5 ± 0.45
12.9 ± 0.45
13.75 ± 1.4
22 ± 0.45

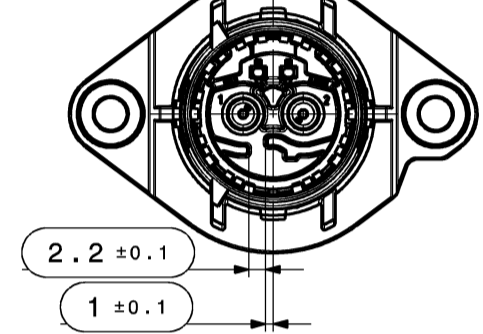
Kodierung A
CODING A



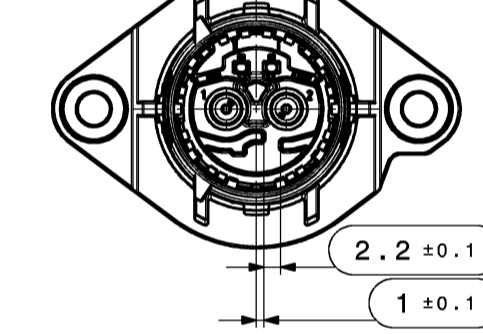
Kodierung B
CODING B



Kodierung C
CODING C

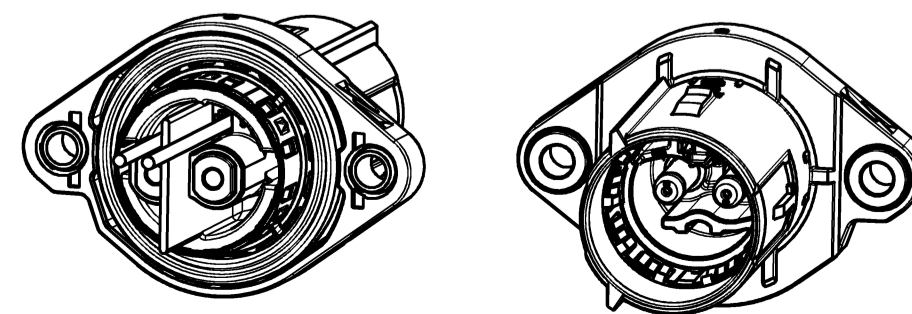


Kodierung D
CODING D



Erz. Nr. PART NUMBER	Index CODING	IL	L1	L2	Querschnitt CROSS SECTION	Type	Rohteil SUBASSEMBLY
809-226-D14	D	YES	1500		0,5mm ²	G&G FLR13Y	809-491-D14
809-226-D13	C	YES					809-491-D13
809-226-D12	B	YES					809-491-D12
809-226-D11	A	YES					809-491-D11
809-226-D04	D	YES	1500		0,35mm ²	Coficab FLR2X T4	809-491-D04
809-226-D03	C	YES					809-491-D03
809-226-D02	B	YES					809-491-D02
809-226-D01	A	YES					809-491-D01
809-226-C14	D	YES	1000		0,5mm ²	G&G FLR13Y	809-491-C14
809-226-C13	C	YES					809-491-C13
809-226-C12	B	YES					809-491-C12
809-226-C11	A	YES					809-491-C11
809-226-C04	D	YES	1000		0,35mm ²	Coficab FLR2X T4	809-491-C04
809-226-C03	C	YES					809-491-C03
809-226-C02	B	YES					809-491-C02
809-226-C01	A	YES					809-491-C01
809-226-B14	D	YES	500		0,5mm ²	G&G FLR13Y	809-491-B14
809-226-B13	C	YES					809-491-B13
809-226-B12	B	YES					809-491-B12
809-226-B11	A	YES					809-491-B11
809-226-B04	D	YES	500		0,35mm ²	Coficab FLR2X T4	809-491-B04
809-226-B03	C	YES					809-491-B03
809-226-B02	B	YES					809-491-B02
809-226-B01	A	YES					809-491-B01
809-226-A04	D	NO	-	-	-	-	809-491-A04
809-226-A03	C	NO					809-491-A03
809-226-A02	B	NO					809-491-A02
809-226-A01	A	NO					809-491-A01

2X Isometrische Ansicht
2X ISOMETRIC VIEW



00	Ersterstellung / Initial edition		12.08.2020	LST
Version	Numb. of	Description of alteration	Date	drwn
Test instructions				
Crude state	Material	Final state	Gross weight	g/pc
			Final weight	g/pc
Material-No.	Tolerances	EN ISO 8015	Surface	cm ² /pc
	Edges	DIN ISO 13715	dimensions	Scale
	Geometric tolerances	DIN ISO 1101	in millimeters	1:1
Date	Name	Dimensions specially checked for acceptance		
Drawn	12.08.2020	L.Stotter	Title	
Checked	20.08.2020	M.Rudigier	HPS-40 Aggregatanschluss Busbar	
Released	20.08.2020	M.Rudigier	Type	CDI
HIRSCHMANN AUTOMOTIVE		Drawing - No. 809-226-A..		Sheet of 1
Oberer Paspelsweg 6-8 A-6830 Rankweil-Brederis		Origin	Replacement	DNR 10000325648