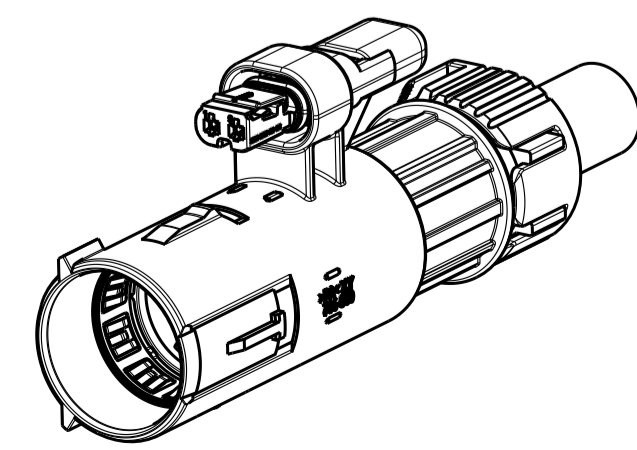


HA PART NUMBER	SUBASSEMBLY	CODING	L [mm]	CROSS-SECTION	MANUFACTURER
908-195-B60	810-948-B60	D	5000±50	2x2,5mm <sup>2</sup>	Coroplast
908-195-B59	810-948-B59	C			
908-195-B58	810-948-B58	B			
908-195-B57	810-948-B57	A			
908-195-B53	810-948-B53	A	3000±20	2x2,5mm <sup>2</sup>	Coroplast
908-195-B48	810-948-B48	D	5000±50	2x4mm <sup>2</sup>	Coroplast
908-195-B47	810-948-B47	C			
908-195-B46	810-948-B46	B			
908-195-B45	810-948-B45	A			
908-195-B41	810-948-B41	A	3000±20	2x4mm <sup>2</sup>	Coroplast
908-195-B36	810-948-B36	D	5000±50	2x6mm <sup>2</sup>	Coroplast
908-195-B35	810-948-B35	C			
908-195-B34	810-948-B34	B			
908-195-B33	810-948-B33	A			
908-195-B21	810-948-B21	A	3000±20	2x6mm <sup>2</sup>	Coroplast
908-195-B09	810-948-B09	A	1000±20		
908-195-B13	810-948-B13	A	3000±20	2x6mm <sup>2</sup>	Leoni
908-195-B01	810-948-B01	A	1000±20		

**Bemerkungen:**  
**COMMENTS:**  
 -Massgebend ist der deutsche Text  
 -GERMAN TEXT IS VALID  
 -Kodierung A gezeichnet  
 -CODING A IS DRAWN  
 -Zugehoeriger AV Aggregatanschluss siehe HA-Nr. 808-279-...00  
 -MATCHING INTERFACE PLUG SOCKET SEE HA-Nr. 808-279-...00  
 -Verpackung: einzeln verpackt in Luftpolsterbeutel  
 -PACKAGING: SINGLE PACKED IN AIR BUBBLE BAG  
 -Fertigung nach Verarbeitungsspezifikation EVS-100113  
 -MANUFACTURING ACC. TO PROZESS SPECIFICATION EVS-100113

Laengentoleranzen der Leitungen:  
 TOLERANCE OF WIRE LENGTH:  
 0mm - 999mm ±10  
 1000mm - 4999mm ±20  
 5000mm - \* ±50  
 \*mit Hirschmann abzustimmen/HAS TO BE CLARIFIED WITH HIRSCHMANN



01	added Index B;	05.12.2022	KKR
00	Ersterstellung / Initial edition	15.05.2020	TG2
EMVZIEGE ANZAHL VERSION ANZAHL	DESCRIPTION OF CHANGE AENDERUNGSBESCHREIBUNG	DATE DATUM	DRAWER ZEICHNER
DRAGNO TOLERANCES ACCORDING TO DIN EN ISO 2768	TOLERANCES ACCORDING TO DIN EN ISO 2768	TITLE / BENENNUNG	
TOLERANCES ACCORDING TO DIN EN ISO 2768	TOLERANCES ACCORDING TO DIN EN ISO 2768	HPS40-2 In-Line mit HVIL MCC SPP	
DRAGNO TOLERANCES ACCORDING TO DIN EN ISO 2768	TOLERANCES ACCORDING TO DIN EN ISO 2768	SUBTITLE / ZUSATZ TEXT	
DRAGNO TOLERANCES ACCORDING TO DIN EN ISO 2768	TOLERANCES ACCORDING TO DIN EN ISO 2768	HPS40-2 IN-LINE WITH HVIL MCC P.03088	
DRAGNO TOLERANCES ACCORDING TO DIN EN ISO 2768	TOLERANCES ACCORDING TO DIN EN ISO 2768	DRAWING NO. ZEICHNUNGSNUMMER	
DRAGNO TOLERANCES ACCORDING TO DIN EN ISO 2768	TOLERANCES ACCORDING TO DIN EN ISO 2768	908-195-...	
HIRSCHMANN AUTOMOTIVE		DRAGNO TOLERANCES ACCORDING TO DIN EN ISO 2768	DR NO. KAZU. NR.
		100000393258	62926
Controlled status available in the system!			

This material contains information protected by copyright. Any reproduction or translation into another language without the prior written consent of Hirschmann is prohibited.

Plot from: T:\MATER on 14.02.2023 Doc.Vers. 01 Valid until: ... Status: Freigegeben