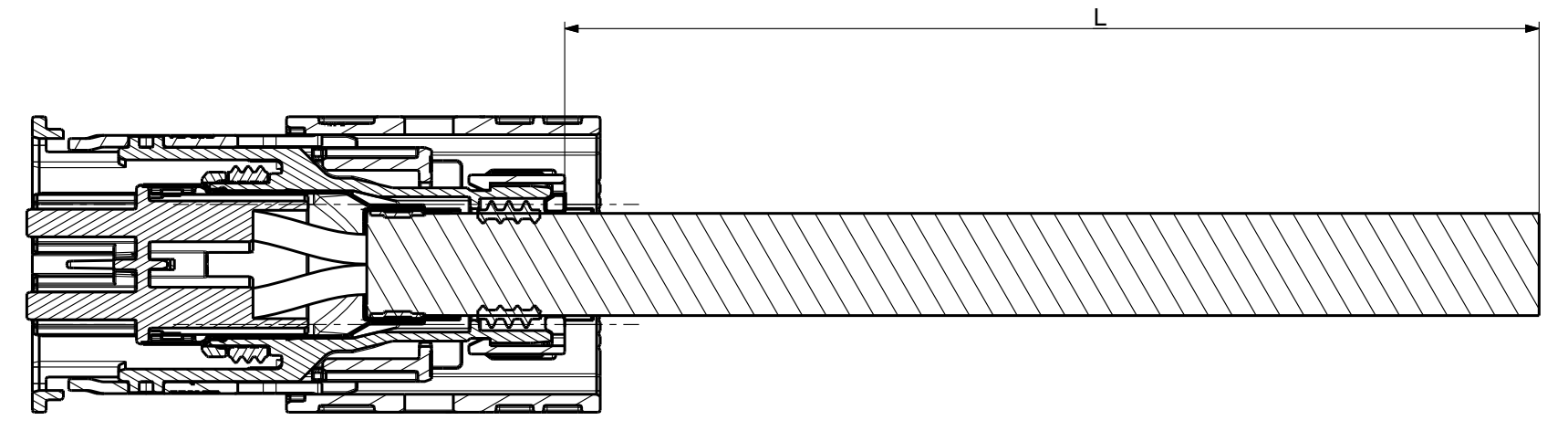
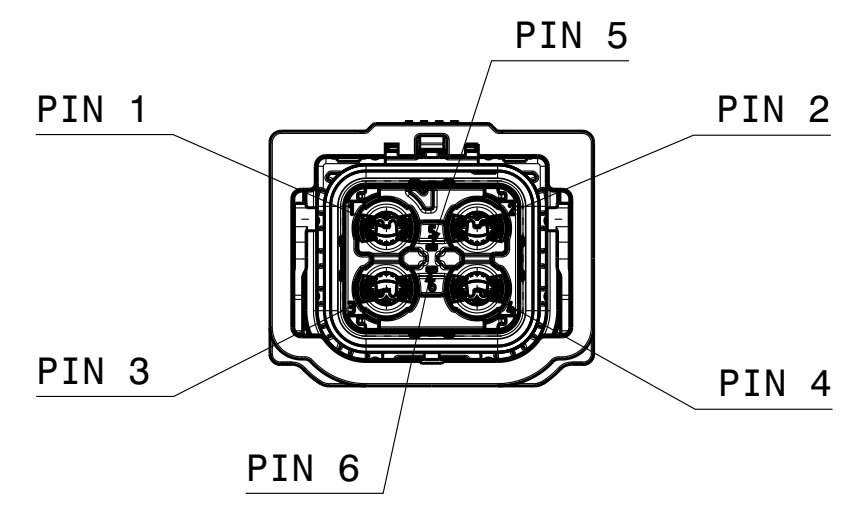


Buchsenstecker
HIRSCHMANN AUTOMOTIVE PowerStar 40 4+2POL
Systemzeichnung siehe 809-981-...00
FEMALE CONNECTOR
HIRSCHMANN AUTOMOTIVE PowerStar 40 4+2POL
SEE DRAWING 809-981-...00



| HA PART NUMBER | Rohteil SUBASSEMBLY | CODING | L | Querschnitt CROSS-SECTION | Hersteller MANUFACTURER | | | |
|----------------|---------------------|--------|-------------|---------------------------|-------------------------|-----------|--------|---------|
| 907-309-F40 | 810-779-F40 | A | 10000 ± 150 | 4x6mm² | Leoni | | | |
| 907-309-E75 | 010-779-E75 | Z | 10000 ± 150 | 4x6mm² | Coroplast | | | |
| 907-309-E74 | 010-779-E74 | B | | | | | | |
| 907-309-E73 | 010-779-E73 | A | | | | | | |
| 907-309-E36 | 010-779-E36 | Z | | | | | | |
| 907-309-E95 | 010-779-E95 | B | 5000 ± 50 | 4x6mm² | Coficab | | | |
| 907-309-E94 | 010-779-E94 | A | | | | | | |
| 907-309-E93 | 010-779-E93 | Z | | | | | | |
| 907-309-E92 | 010-779-E92 | B | | | | | | |
| 907-309-E91 | 010-779-E91 | A | | | | | | |
| 907-309-E30 | 810-779-E30 | Z | | | | | | |
| 907-309-E29 | 810-779-E29 | B | 3000 ± 20 | 4x6mm² | Leoni | | | |
| 907-309-E28 | 810-779-E28 | A | | | | | | |
| 907-309-E27 | 010-779-E27 | Z | | | | | | |
| 907-309-E26 | 010-779-E26 | B | | | | | | |
| 907-309-E25 | 010-779-E25 | A | | | | | | |
| 907-309-E24 | 010-779-E24 | Z | | | | | | |
| 907-309-E23 | 010-779-E23 | B | | | | 3000 ± 20 | 4x6mm² | Coficab |
| 907-309-E22 | 810-779-E22 | A | | | | | | |
| 907-309-E21 | 010-779-E21 | Z | | | | | | |
| 907-309-E20 | 010-779-E20 | B | | | | | | |
| 907-309-E19 | 010-779-E19 | A | | | | | | |
| 907-309-E18 | 010-779-E18 | Z | | | | | | |
| 907-309-E17 | 010-779-E17 | B | | | | | | |
| 907-309-E16 | 810-779-E16 | A | | | | | | |
| 907-309-E15 | 010-779-E15 | Z | 1000 ± 20 | 4x6mm² | Coroplast | | | |
| 907-309-E14 | 010-779-E14 | B | | | | | | |
| 907-309-E13 | 010-779-E13 | A | | | | | | |
| 907-309-E12 | 010-779-E12 | Z | | | | | | |
| 907-309-E11 | 010-779-E11 | B | | | | | | |
| 907-309-E10 | 010-779-E10 | A | | | | | | |
| 907-309-E09 | 010-779-E09 | Z | | | | | | |
| 907-309-E08 | 010-779-E08 | B | | | | | | |
| 907-309-E07 | 010-779-E07 | A | 1000 ± 20 | 4x6mm² | Kroschu | | | |
| 907-309-E06 | 010-779-E06 | Z | | | | | | |
| 907-309-E05 | 010-779-E05 | B | | | | | | |
| 907-309-E04 | 810-779-E04 | A | | | | | | |
| 907-309-E03 | 010-779-E03 | Z | | | | | | |
| 907-309-E02 | 010-779-E02 | B | 1000 ± 20 | 4x6mm² | Leoni | | | |
| 907-309-E01 | 010-779-E01 | A | | | | | | |
| 907-309-E00 | 010-779-E00 | Z | | | | | | |
| 907-309-E97 | 010-779-E97 | A | 1000 ± 20 | 4x6mm² | Coroplast | | | |
| 907-309-E96 | 010-779-E96 | B | | | | | | |
| 907-309-E95 | 010-779-E95 | Z | | | | | | |

| HA PART NUMBER | Rohteil SUBASSEMBLY | CODING | L | Querschnitt CROSS-SECTION | Hersteller MANUFACTURER | | | |
|----------------|---------------------|--------|-------------|---------------------------|-------------------------|-----------|--------|---------|
| 907-309-E78 | 010-779-E78 | Z | 10000 ± 150 | 4x4mm² | Coroplast | | | |
| 907-309-E77 | 010-779-E77 | B | | | | | | |
| 907-309-E76 | 810-779-E76 | A | | | | | | |
| 907-309-E72 | 010-779-E72 | Z | | | | | | |
| 907-309-E71 | 010-779-E71 | B | 5000 ± 50 | 4x4mm² | Coficab | | | |
| 907-309-E70 | 010-779-E70 | A | | | | | | |
| 907-309-E69 | 010-779-E69 | Z | | | | | | |
| 907-309-E68 | 010-779-E68 | B | | | | | | |
| 907-309-E67 | 010-779-E67 | A | | | | | | |
| 907-309-E66 | 810-779-E66 | Z | | | | | | |
| 907-309-E65 | 810-779-E65 | B | 3000 ± 20 | 4x4mm² | Leoni | | | |
| 907-309-E64 | 810-779-E64 | A | | | | | | |
| 907-309-E63 | 010-779-E63 | Z | | | | | | |
| 907-309-E62 | 010-779-E62 | B | | | | | | |
| 907-309-E61 | 010-779-E61 | A | | | | | | |
| 907-309-E60 | 010-779-E60 | Z | | | | | | |
| 907-309-E59 | 010-779-E59 | B | | | | 3000 ± 20 | 4x4mm² | Coficab |
| 907-309-E58 | 810-779-E58 | A | | | | | | |
| 907-309-E57 | 010-779-E57 | Z | | | | | | |
| 907-309-E56 | 010-779-E56 | B | | | | | | |
| 907-309-E55 | 010-779-E55 | A | | | | | | |
| 907-309-E54 | 010-779-E54 | Z | | | | | | |
| 907-309-E53 | 010-779-E53 | B | | | | | | |
| 907-309-E52 | 810-779-E52 | A | | | | | | |
| 907-309-E51 | 010-779-E51 | Z | 1000 ± 20 | 4x4mm² | Coroplast | | | |
| 907-309-E50 | 010-779-E50 | B | | | | | | |
| 907-309-E49 | 810-779-E49 | A | | | | | | |
| 907-309-E48 | 010-779-E48 | Z | | | | | | |
| 907-309-E47 | 010-779-E47 | B | | | | | | |
| 907-309-E46 | 010-779-E46 | A | | | | | | |
| 907-309-E45 | 010-779-E45 | Z | | | | | | |
| 907-309-E44 | 010-779-E44 | B | | | | | | |
| 907-309-E43 | 010-779-E43 | A | 1000 ± 20 | 4x4mm² | Kroschu | | | |
| 907-309-E42 | 010-779-E42 | Z | | | | | | |
| 907-309-E41 | 010-779-E41 | B | | | | | | |
| 907-309-E40 | 810-779-E40 | A | | | | | | |
| 907-309-E39 | 010-779-E39 | Z | | | | | | |
| 907-309-E38 | 010-779-E38 | B | 1000 ± 20 | 4x4mm² | Leoni | | | |
| 907-309-E37 | 010-779-E37 | A | | | | | | |
| 907-309-E36 | 010-779-E36 | Z | | | | | | |

| HA PART NUMBER | Rohteil SUBASSEMBLY | CODING | L | Querschnitt CROSS-SECTION | Hersteller MANUFACTURER | | | |
|----------------|---------------------|--------|-------------|---------------------------|-------------------------|-----------|--------|---------|
| 907-309-F99 | 010-779-F99 | Z | 10000 ± 150 | 3x6mm² | Coroplast | | | |
| 907-309-F98 | 010-779-F98 | B | | | | | | |
| 907-309-F37 | 810-779-F37 | A | | | | | | |
| 907-309-F96 | 010-779-F96 | Z | | | | | | |
| 907-309-F95 | 010-779-F95 | B | 5000 ± 50 | 3x6mm² | Coficab | | | |
| 907-309-F94 | 010-779-F94 | A | | | | | | |
| 907-309-F93 | 010-779-F93 | Z | | | | | | |
| 907-309-F92 | 010-779-F92 | B | | | | | | |
| 907-309-F91 | 010-779-F91 | A | | | | | | |
| 907-309-F90 | 010-779-F90 | Z | | | | | | |
| 907-309-F29 | 010-779-F29 | B | 3000 ± 20 | 3x6mm² | Leoni | | | |
| 907-309-F28 | 010-779-F28 | A | | | | | | |
| 907-309-F27 | 810-779-F27 | Z | | | | | | |
| 907-309-F26 | 810-779-F26 | B | | | | | | |
| 907-309-F25 | 810-779-F25 | A | | | | | | |
| 907-309-F24 | 010-779-F24 | Z | | | | | | |
| 907-309-F23 | 010-779-F23 | B | | | | 3000 ± 20 | 3x6mm² | Coficab |
| 907-309-F22 | 010-779-F22 | A | | | | | | |
| 907-309-F21 | 010-779-F21 | Z | | | | | | |
| 907-309-F20 | 010-779-F20 | B | | | | | | |
| 907-309-F19 | 010-779-F19 | A | | | | | | |
| 907-309-F18 | 010-779-F18 | Z | | | | | | |
| 907-309-F17 | 010-779-F17 | B | | | | | | |
| 907-309-F16 | 010-779-F16 | A | | | | | | |
| 907-309-F15 | 010-779-F15 | Z | 1000 ± 20 | 3x6mm² | Coroplast | | | |
| 907-309-F14 | 010-779-F14 | B | | | | | | |
| 907-309-F13 | 810-779-F13 | A | | | | | | |
| 907-309-F12 | 010-779-F12 | Z | | | | | | |
| 907-309-F11 | 010-779-F11 | B | | | | | | |
| 907-309-F10 | 010-779-F10 | A | | | | | | |
| 907-309-F09 | 010-779-F09 | Z | | | | | | |
| 907-309-F08 | 010-779-F08 | B | | | | | | |
| 907-309-F07 | 010-779-F07 | A | 1000 ± 20 | 3x6mm² | Kroschu | | | |
| 907-309-F06 | 010-779-F06 | Z | | | | | | |
| 907-309-F05 | 010-779-F05 | B | | | | | | |
| 907-309-F04 | 010-779-F04 | A | | | | | | |
| 907-309-F03 | 010-779-F03 | Z | | | | | | |
| 907-309-F02 | 010-779-F02 | B | 1000 ± 20 | 3x6mm² | Leoni | | | |
| 907-309-F01 | 010-779-F01 | A | | | | | | |
| 907-309-F00 | 010-779-F00 | Z | | | | | | |

| Pinbelegung 4x6mm² Coroplast | |
|------------------------------|--------------------------------------|
| PIN | Farbe / COLOUR |
| 1 | schwarz / BLACK |
| 2 | grau / GREY |
| 3 | blau / BLUE |
| 4 | braun / BROWN |
| 5 | Interlock-Bruecke / INTERLOCK BRIDGE |
| 6 | Interlock-Bruecke / INTERLOCK BRIDGE |

| Pinbelegung 4x4mm² Leoni | |
|--------------------------|--------------------------------------|
| PIN | Farbe / COLOUR |
| 1 | schwarz / BLACK |
| 2 | grau / GREY |
| 3 | blau / BLUE |
| 4 | braun / BROWN |
| 5 | Interlock-Bruecke / INTERLOCK BRIDGE |
| 6 | Interlock-Bruecke / INTERLOCK BRIDGE |

| Pinbelegung 3x6mm² Leoni | |
|--------------------------|--------------------------------------|
| PIN | Farbe / COLOUR |
| 1 | schwarz / BLACK |
| 2 | blau / BLUE |
| 3 | nicht belegt / NOT USED |
| 4 | braun / BROWN |
| 5 | Interlock-Bruecke / INTERLOCK BRIDGE |
| 6 | Interlock-Bruecke / INTERLOCK BRIDGE |

| Pinbelegung 4x6mm² Coficab | |
|----------------------------|--------------------------------------|
| PIN | Farbe / COLOUR |
| 1 | schwarz / BLACK |
| 2 | grau / GREY |
| 3 | gelb-gruen / YELLOW-GREEN |
| 4 | braun / BROWN |
| 5 | Interlock-Bruecke / INTERLOCK BRIDGE |
| 6 | Interlock-Bruecke / INTERLOCK BRIDGE |

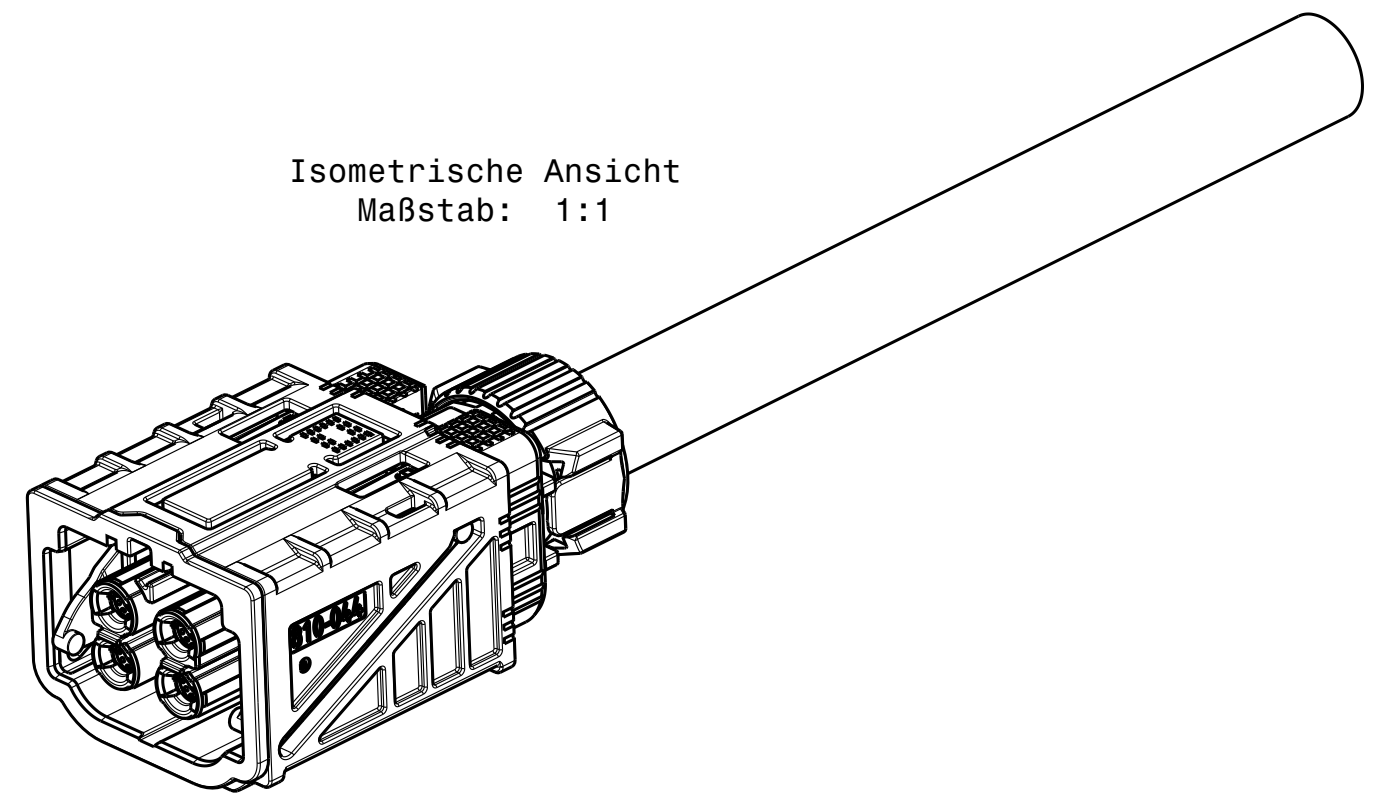
| Pinbelegung 4x4mm² Coficab | |
|----------------------------|--------------------------------------|
| PIN | Farbe / COLOUR |
| 1 | schwarz / BLACK |
| 2 | grau / GREY |
| 3 | blau / BLUE |
| 4 | braun / BROWN |
| 5 | Interlock-Bruecke / INTERLOCK BRIDGE |
| 6 | Interlock-Bruecke / INTERLOCK BRIDGE |

| Pinbelegung 3x6mm² Coficab | |
|----------------------------|--------------------------------------|
| PIN | Farbe / COLOUR |
| 1 | gelb-gruen / YELLOW-GREEN |
| 2 | blau / BLUE |
| 3 | nicht belegt / NOT USED |
| 4 | braun / BROWN |
| 5 | Interlock-Bruecke / INTERLOCK BRIDGE |
| 6 | Interlock-Bruecke / INTERLOCK BRIDGE |

| Pinbelegung 4x6mm² Kroschu | |
|----------------------------|--------------------------------------|
| PIN | Farbe / COLOUR |
| 1 | schwarz / BLACK |
| 2 | gelb-gruen / YELLOW-GREEN |
| 3 | braun / BROWN |
| 4 | grau / GREY |
| 5 | Interlock-Bruecke / INTERLOCK BRIDGE |
| 6 | Interlock-Bruecke / INTERLOCK BRIDGE |

| Pinbelegung 4x4mm² Kroschu | |
|----------------------------|--------------------------------------|
| PIN | Farbe / COLOUR |
| 1 | schwarz / BLACK |
| 2 | gelb-gruen / YELLOW-GREEN |
| 3 | blau / BLUE |
| 4 | braun / BROWN |
| 5 | Interlock-Bruecke / INTERLOCK BRIDGE |
| 6 | Interlock-Bruecke / INTERLOCK BRIDGE |

| Pinbelegung 3x6mm² Kroschu | |
|----------------------------|--------------------------------------|
| PIN | Farbe / COLOUR |
| 1 | gelb-gruen / YELLOW-GREEN |
| 2 | blau / BLUE |
| 3 | nicht belegt / NOT USED |
| 4 | braun / BROWN |
| 5 | Interlock-Bruecke / INTERLOCK BRIDGE |
| 6 | Interlock-Bruecke / INTERLOCK BRIDGE |



Isometrische Ansicht
Maßstab: 1:1

SC3

CONTINUITY TEST
Durchgangspruefung
PIN ASSIGNMENT
Pinbelegung
DIELECTRIC STRENGTH 3040VAC BETWEEN HIGH VOLTAGE TERMINALS AND HIGH VOLTAGE TERMINAL TO THE SHIELDING.
Spannungsfestigkeit 3040VAC zwischen HV Kontakten und HV Kontakte zur Schirmung.
QUERY CODING
Kodierungsabfrage

Bemerkung:
Fertigung nach Verarbeitungsspezifikation EVS-100108
COMMENT:
MANUFACTURING ACC. TO PROCESS SPECIFICATION EVS-100108

| 07 | Nicht gepflegt! | 03.10.2023 | S53 |
|--------------------------------|---|--------------|-------------------|
| 06 | crossed out SPP index because not listed in the online shop; | 18.09.2023 | S53 |
| 05 | added Index F40; | 18.07.2023 | KKR |
| 04 | added Index CXX / FXX; | 17.06.2022 | KKR |
| 03 | Added index CXX and DXX; | 20.05.2022 | ASC |
| 02 | adapted pin assignment, adapted views; adapted table; added text for tests; | 04.10.2021 | MWO |
| 01 | added wire length 10000; | 09.09.2020 | ASC |
| 00 | Ersterstellung / Initial edition | 20.12.2019 | SP1 |
| DRAWING NO. / ZEICHNUNGSNUMMER | | DATE / DATUM | DRAWER / ZEICHNER |
| HIRSCHMANN AUTOMOTIVE | | 03.10.2023 | S53 |
| DRAWING NO. / ZEICHNUNGSNUMMER | | 03.10.2023 | S53 |
| DRAWING NO. / ZEICHNUNGSNUMMER | | 03.10.2023 | S53 |
| DRAWING NO. / ZEICHNUNGSNUMMER | | 03.10.2023 | S53 |
| DRAWING NO. / ZEICHNUNGSNUMMER | | 03.10.2023 | S53 |