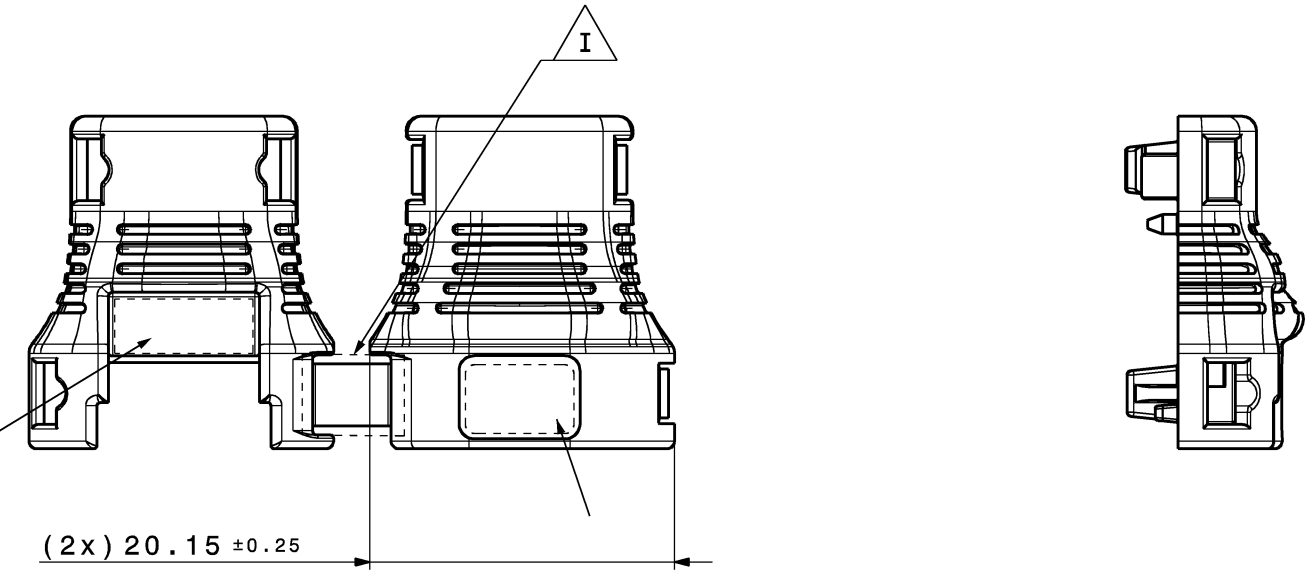


EDITION AXIAL

MOLD CAVITY NO.
FONT LEANT ON DIN 1451 1E2
RECESSED/RAISED

DATE STAMP
RECESSED/RAISED

HIRSCHMANN NO.
FONT LEANT ON DIN 1451 1E1
RECESSED/RAISED

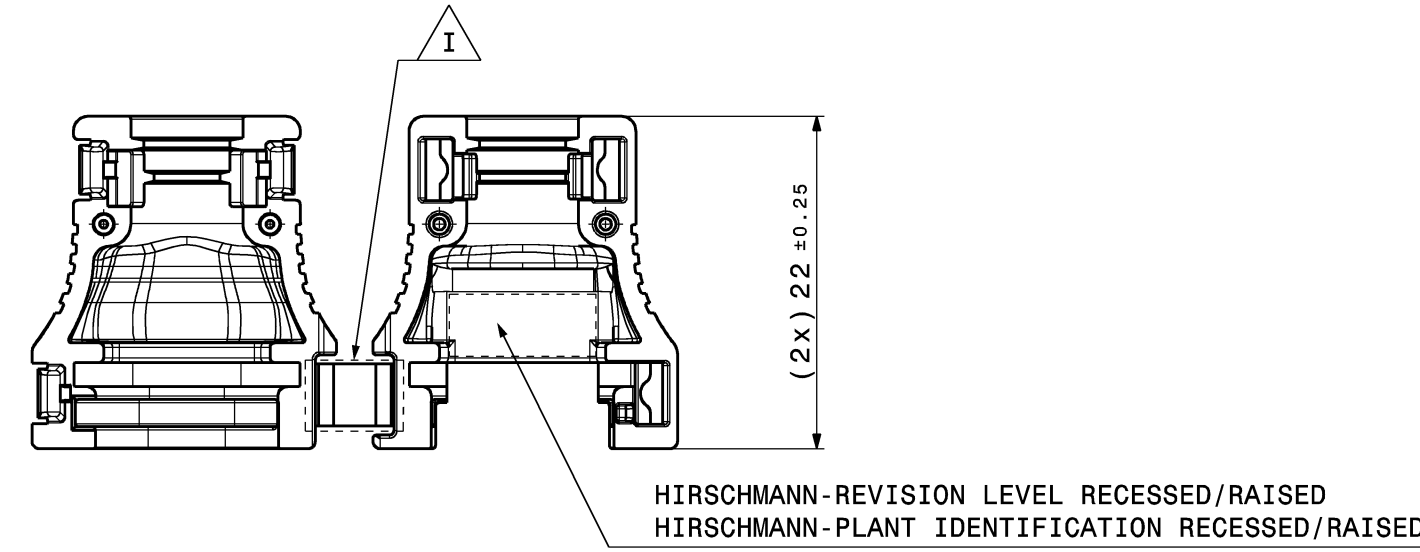
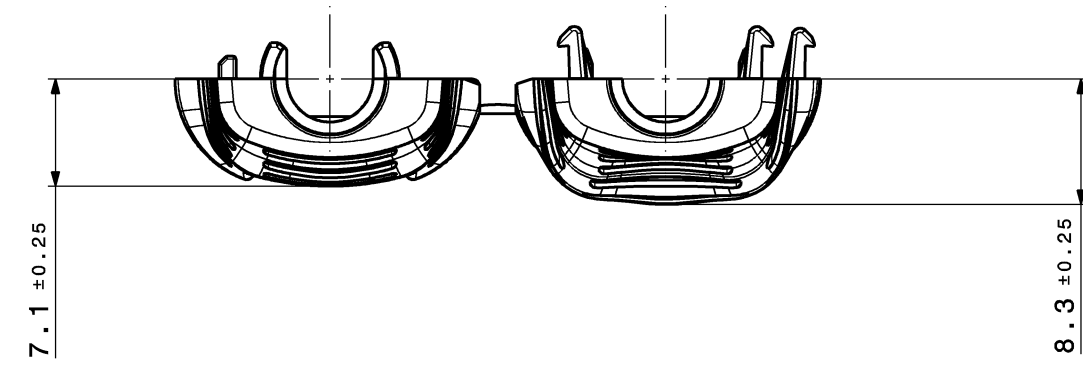


FIELD RECESSED/ RAISED

HIRSCHMANN SIGN RECESSED/ RAISED

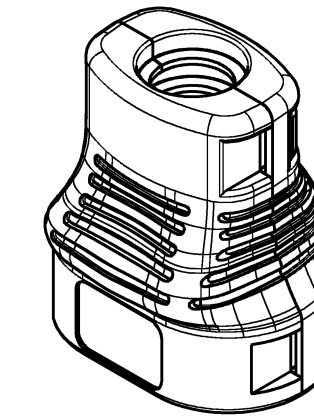
MATERIAL LABEL FONT LEANT ON DIN 1451 1E1 RECESSED/RAISED

MATERIAL: PA6
RECESSED/ RAISED



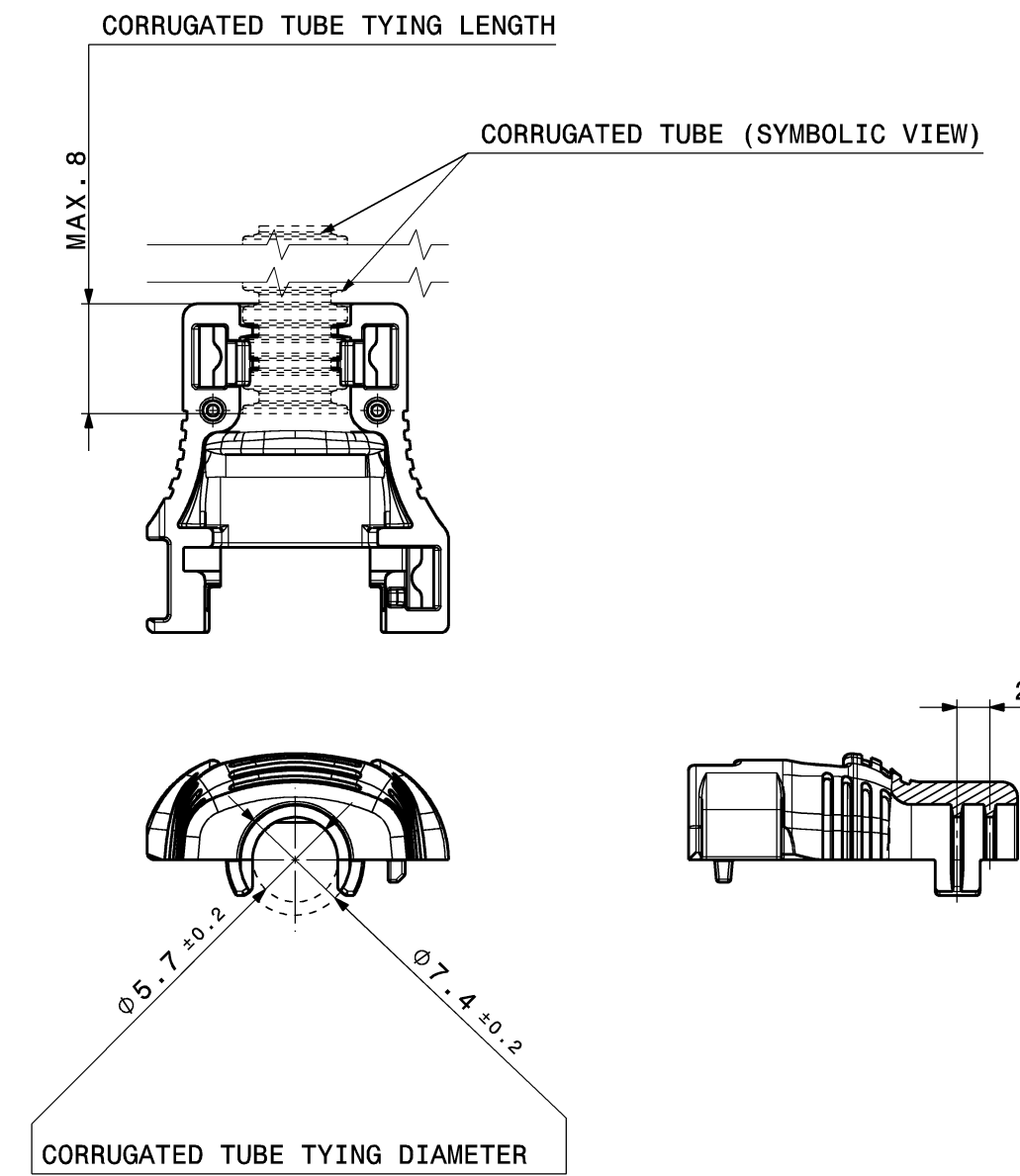
ISOMETRIC VIEW*

*CLOSED VIEW; DOES NOT CORRESPOND TO THE DELIVERY STATUS.



MOUNTING GEOMETRY FOR CORRUGATED TUBE NW 4.5

HALF-SHELLS VIEW / SYMBOLIC IMAGE

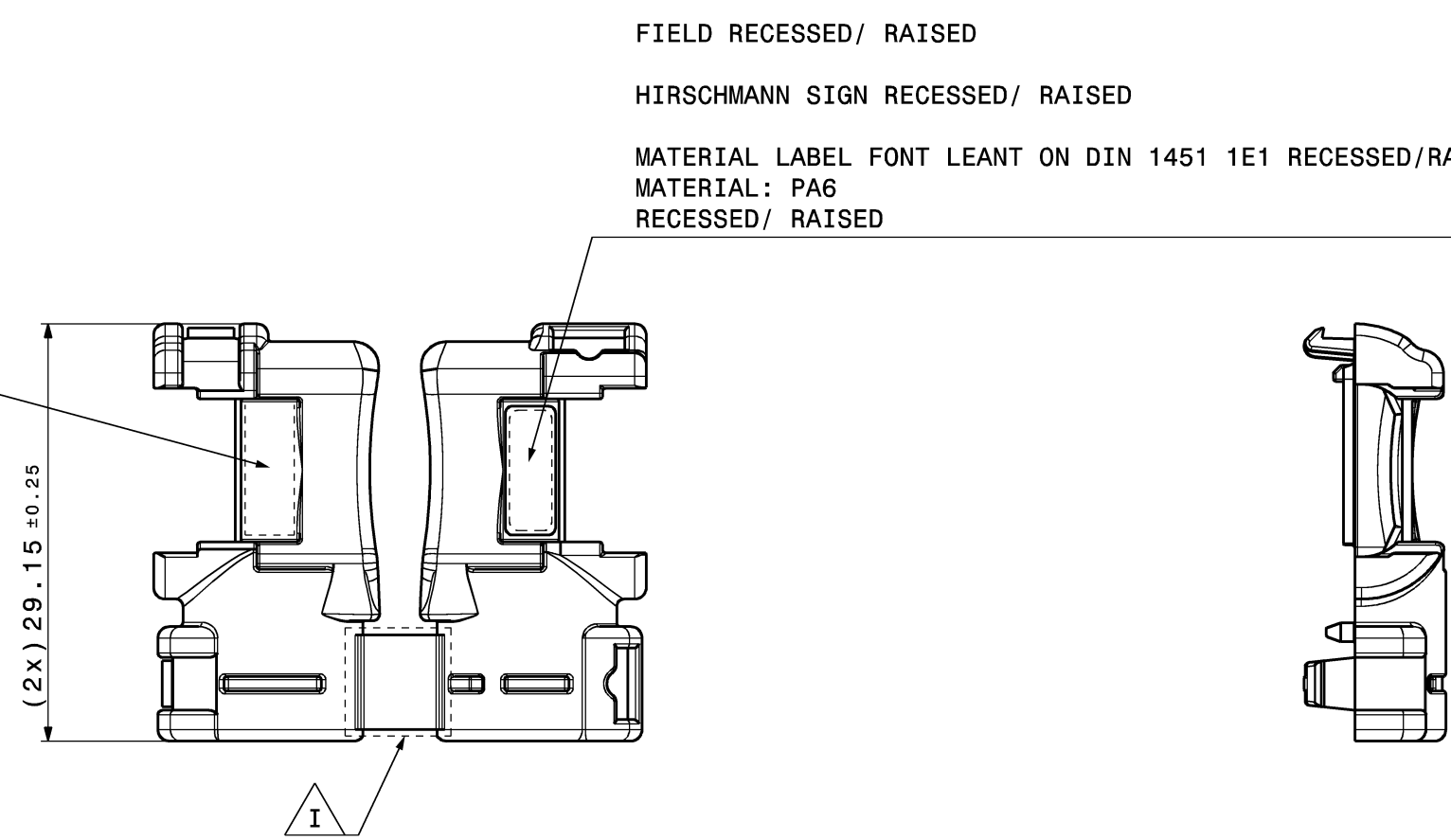


EDITION 90°

MOLD CAVITY NO.
FONT LEANT ON DIN 1451 1E2
RECESSED/RAISED

DATE STAMP
RECESSED/RAISED

HIRSCHMANN NO.
FONT LEANT ON DIN 1451 1E1
RECESSED/RAISED

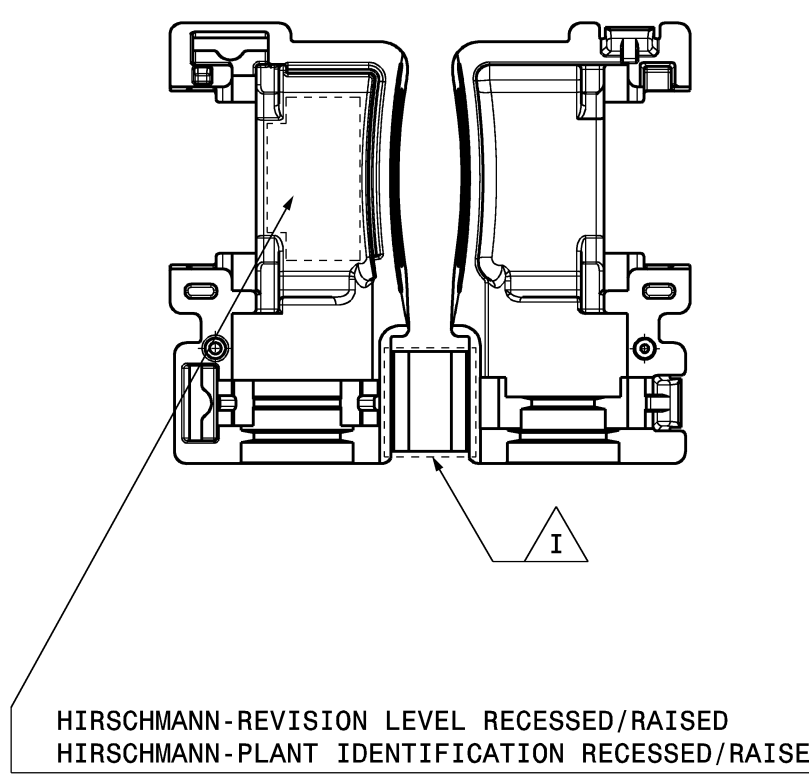
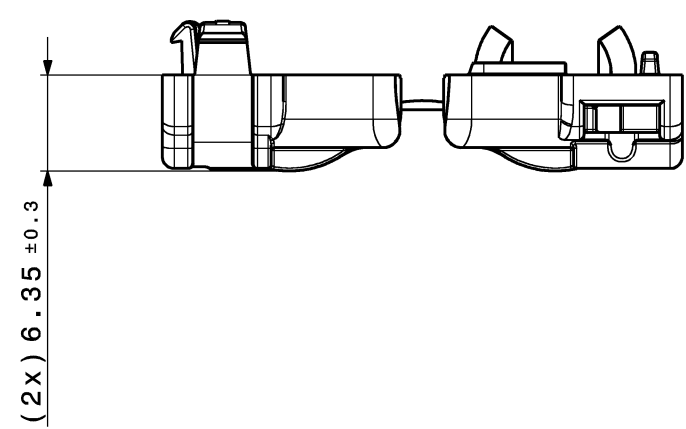


FIELD RECESSED/ RAISED

HIRSCHMANN SIGN RECESSED/ RAISED

MATERIAL LABEL FONT LEANT ON DIN 1451 1E1 RECESSED/RAISED

MATERIAL: PA6
RECESSED/ RAISED

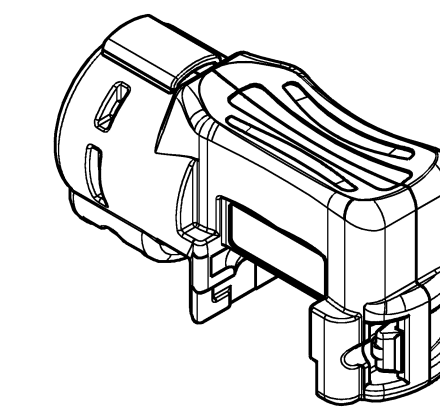


HIRSCHMANN-REVISION LEVEL RECESSED/RAISED

HIRSCHMANN-PLANT IDENTIFICATION RECESSED/RAISED

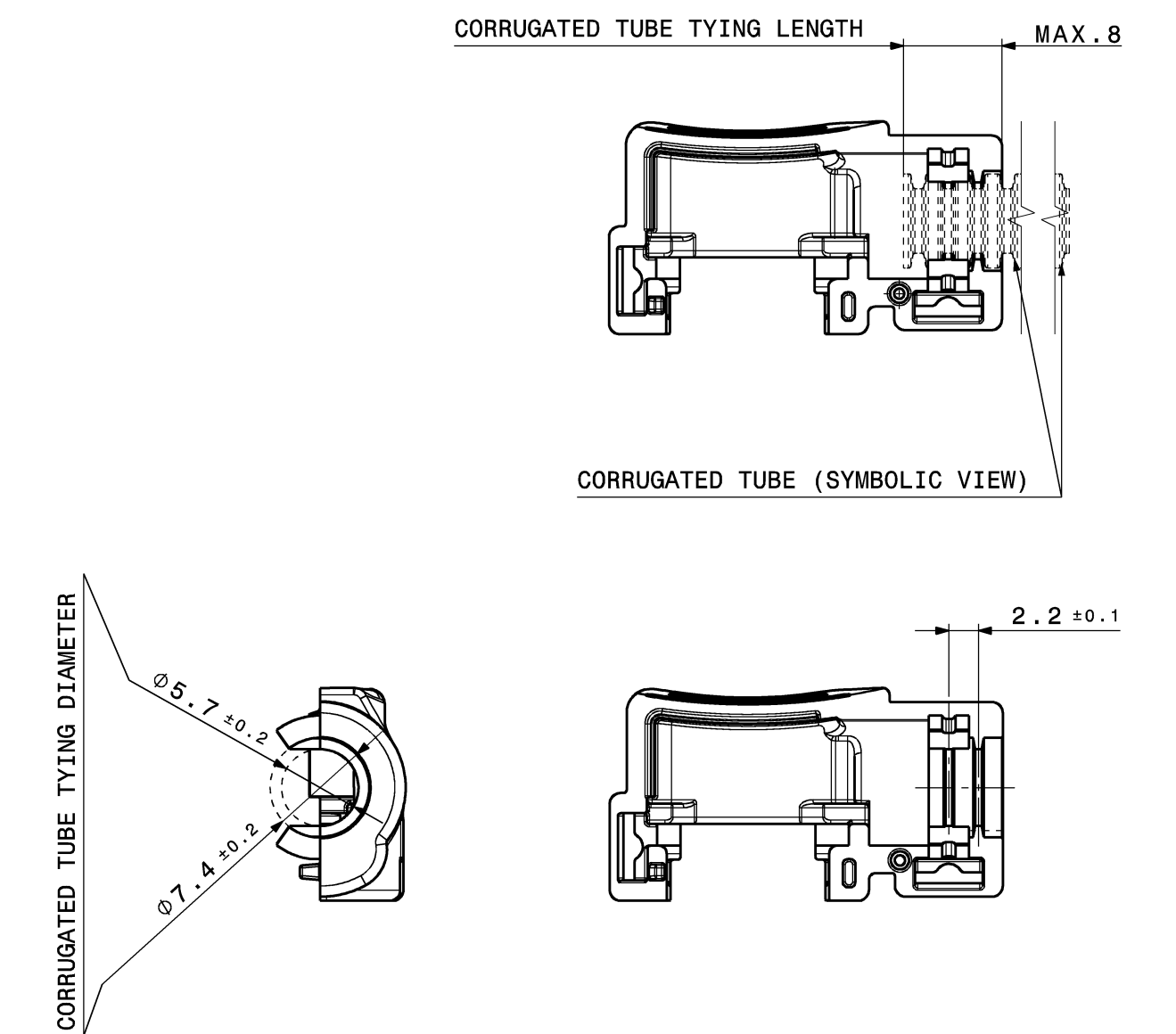
ISOMETRIC VIEW*

*CLOSED VIEW; DOES NOT CORRESPOND TO THE DELIVERY STATUS.



MOUNTING GEOMETRY FOR CORRUGATED TUBE NW 4.5

HALF-SHELLS VIEW / SYMBOLIC IMAGE



GENERAL TOLERANCES FOR UNTOLERATED DIMENSIONS:

- ANGLE-DIMENSIONS [°]
TOLERANCE FOR ALL ANGLE-DIMENSIONS: ±2°
- RADII: [mm]

TO 1	1-3	3-10	10-20	20-30	30-50
±0.2	±0.3	±0.4	±0.5	±1	±2
- DISTANCE-DIMENSIONS: DIN 2768-mH
- GENERAL TOLERANCE FOR SYMMETRY: 0.2

KEY-FACTS:

TEMPERATURE AREA ACC LV124 2013-02	TEMPERATURE COLLECTIVE 4
FLAME RESISTANCE ACC UL94 (ACC. DATA SHEET)	HB

- COMMENTS:
- EDITION AXIAL AND 90° IS SHOWN
 - DELIVERY STATUS AS DRAWN AS BULK GOOD.
 - ENGLISH TEXT IS VALID
 - MISSING DIMENSIONS SEE CAD-MODEL. THEREFORE THE GENERAL-TOLERANCES ARE VALID
 - DESIGN DEVIATIONS COMPARED WITH DETAIL DRAWINGS ARE INSIGNIFICANT. THE DETAIL DRAWINGS ARE VALID.
 - PART CORRESPONDS TO EU SCRAP CAR GUIDELINE 2000/53/EG
 - CHANGES BASED ON TECHNICAL PROGRESS ARE IN THE DECISION OF THE MANUFACTURER! DETAILS OF IMPLEMENTATION ARE LEFT TO MANUFACTURER.
 - MAX. 30% RECLAIM PERMITTED
 - PART IDENTIFICATION SIMILAR DIN 1451
 - DRAFT ANGLE WITHIN TOLERANCE.
 - MAX. SPLIT LINE 0.2
 - MAX. BURR 0.3

MARKED AREA: SURFACE STRUCTURE CHANGES (WITHOUT ANY EFFECT ON THE FUNCTIONALITY) ARE POSSIBLE, ESPECIALLY AFTER MOUNTING.

707-131-501	A	PA6	90°	-2.1	BLACK SIMILAR RAL9005	2way 1.2 Protective Cap 90° NW4.5	805-120-...00 2way 1.2 SealStar F Connector 872-857-...00 2way 1.2 SealStar F Connector 806-026-...00 2way 1.2 SealStar HMK F Connector	2x 1mm² 2x 1mm² 2x 1mm²
707-130-501	A		AXIAL	-2.1	BLACK SIMILAR RAL9005	2way 1.2 Protective Cap Axial NW4.5		

PART NUMBER:	REVISION:	MATERIAL:	EDITION:	WEIGHT (g)	COLOR:	COMMENT:	MATCHING HIRSCHMANN CONNECTOR	Max. Assignment Cable type FLR
HIRSCHMANN AUTOMOTIVE								

00	Ersterstellung / Initial edition	10.12.2020	SBD
Version	Sub. nr.	Description of alteration	Date
Test instructions			
Crude state	Material according drawing	Final state	Gross weight g/pc Final weight g/pc
Material-Nr. / No.	Tolerances according drawing	Surface	cm²/pc
Edges	DIN ISO 13715	Dimensions in millimeters	Scale 2:1
Geometric tolerances		DIN ISO 1101	Scrap
Date	Name	Dimensions specially checked for acceptance	
Drawn	10.12.2020	S.Bott	Title
Checked	12.01.2021	M.Kalb	Type
Released	12.01.2021	M.Kalb	2way SealStar Protective Cap NW 4.5
HIRSCHMANN AUTOMOTIVE		Drawing - No.	707-130-...00
Origin		Replacement	Sheet 1 of 1
DIN 100000543690		Controlled status available in the system!	

This material contains information protected by copyright. Reproduction or translation into another language without the prior written consent of Hirschmann is prohibited.

Pic from: DBSCHOF on 20210113 Valid until: ... Status: Kundenfreigabe