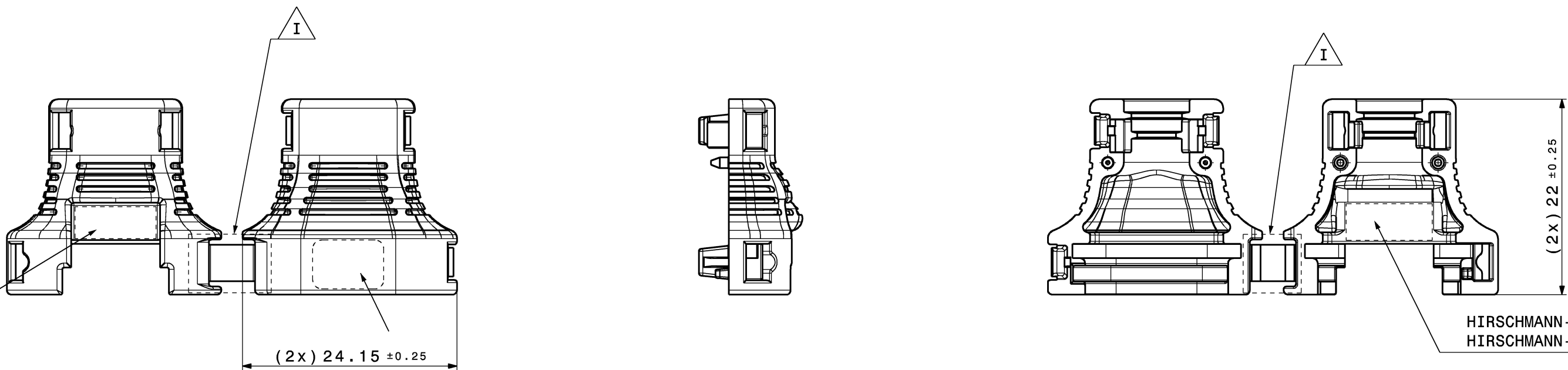


EDITION AXIAL

MOLD CAVITY NO.  
FONT LEANT ON DIN 1451 1E2  
RECESSED/RAISED

DATE STAMP  
RECESSED/RAISED

HIRSCHMANN NO.  
FONT LEANT ON DIN 1451 1E1  
RECESSED/RAISED

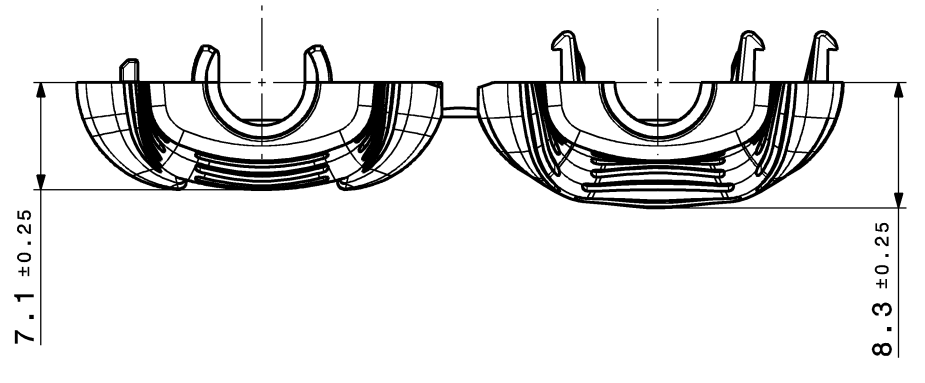


FIELD RECESSED/ RAISED

HIRSCHMANN SIGN RECESSED/ RAISED

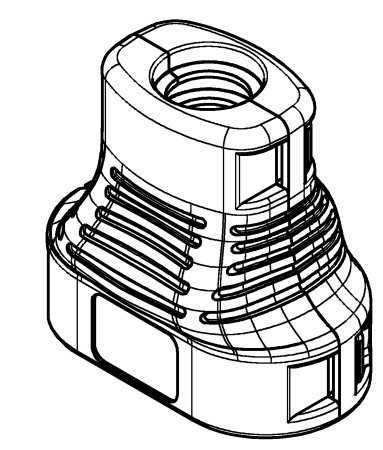
MATERIAL LABEL FONT LEANT ON DIN 1451 1E1 RECESSED/RAISED

MATERIAL: PA6  
RECESSED/ RAISED



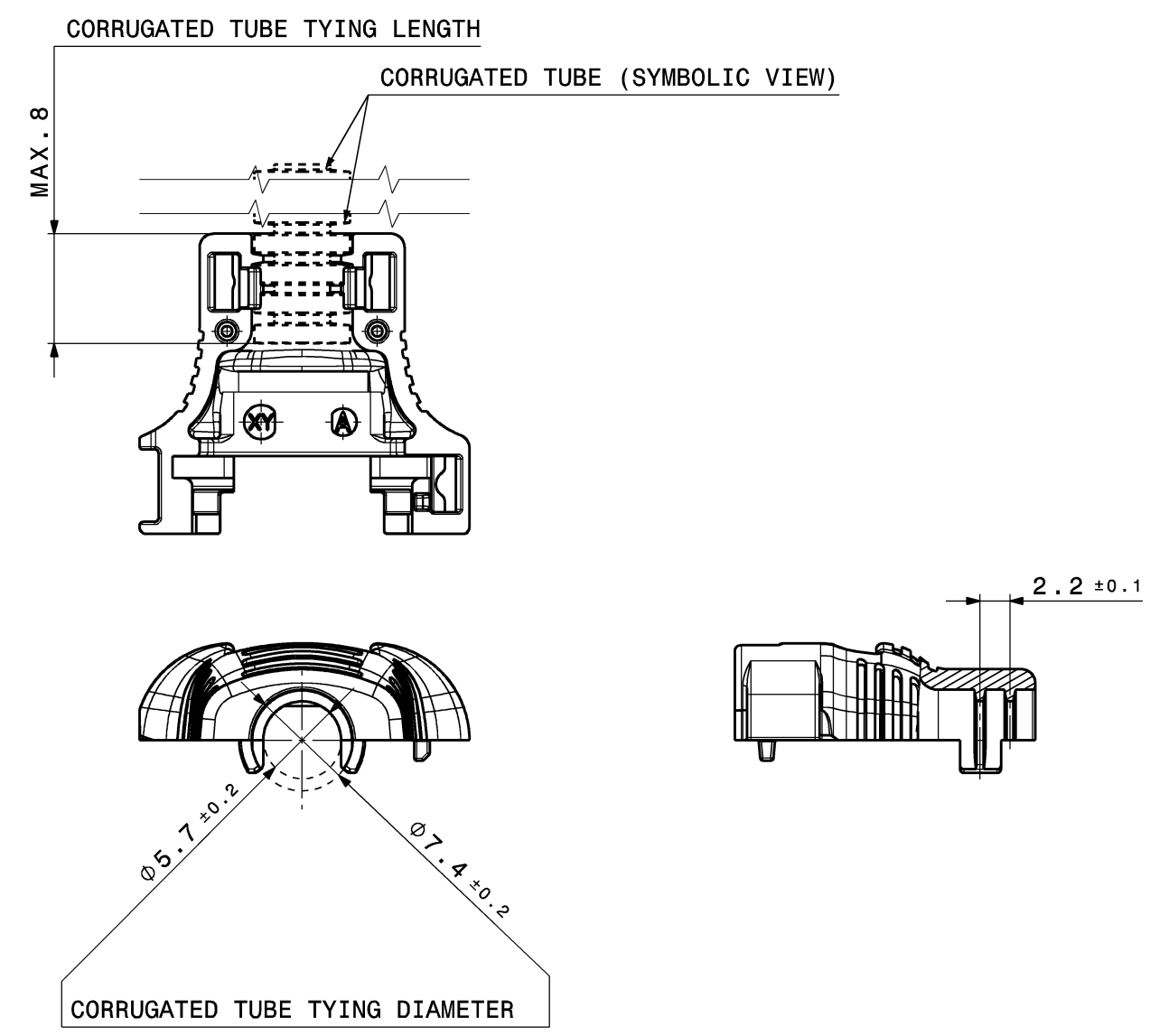
ISOMETRIC VIEW\*

\*CLOSED VIEW; DOES NOT CORRESPOND TO THE DELIVERY STATUS.



MOUNTING GEOMETRY FOR CORRUGATED TUBE NW 4.5

HALF-SHELLS VIEW / SYMBOLIC IMAGE

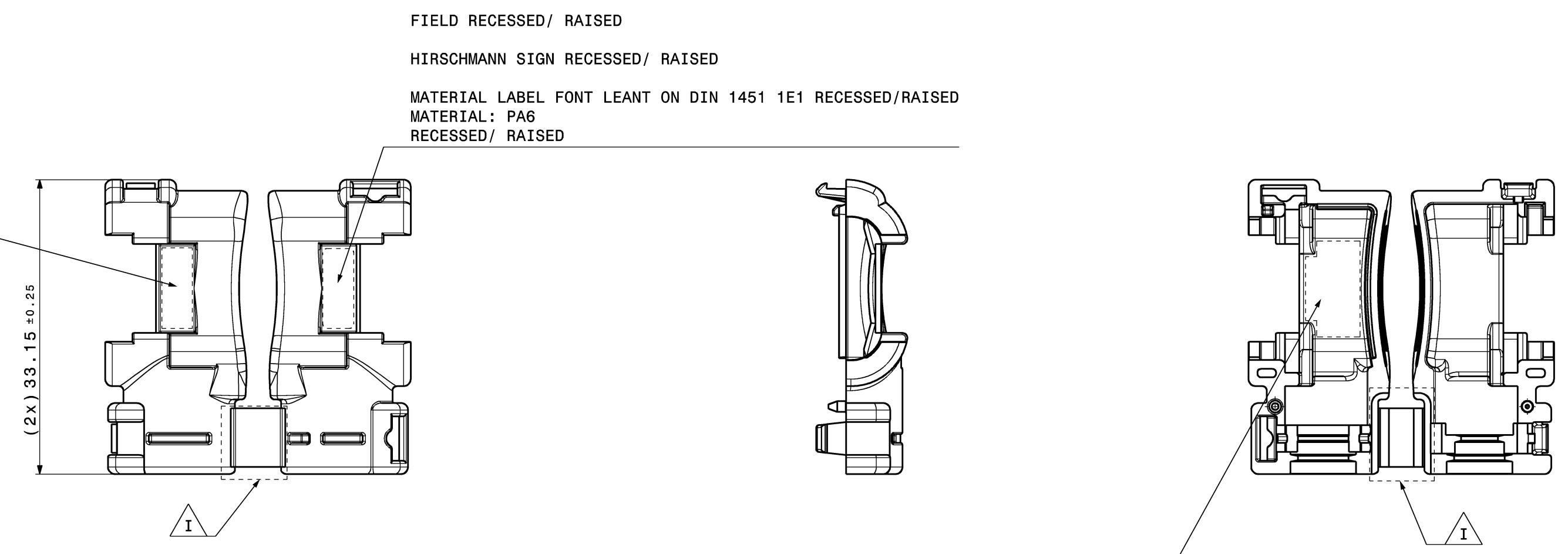


EDITION 90°

MOLD CAVITY NO.  
FONT LEANT ON DIN 1451 1E2  
RECESSED/RAISED

DATE STAMP  
RECESSED/RAISED

HIRSCHMANN NO.  
FONT LEANT ON DIN 1451 1E1  
RECESSED/RAISED



FIELD RECESSED/ RAISED

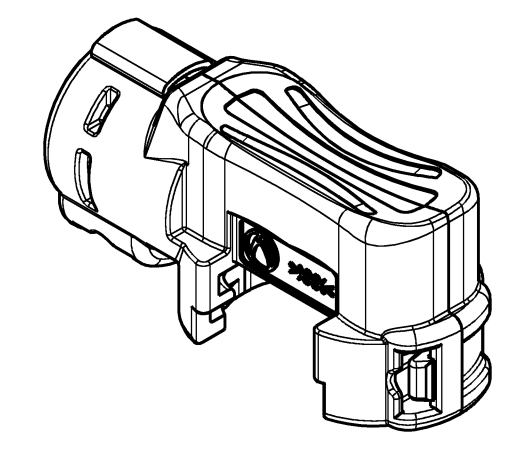
HIRSCHMANN SIGN RECESSED/ RAISED

MATERIAL LABEL FONT LEANT ON DIN 1451 1E1 RECESSED/RAISED

MATERIAL: PA6  
RECESSED/ RAISED

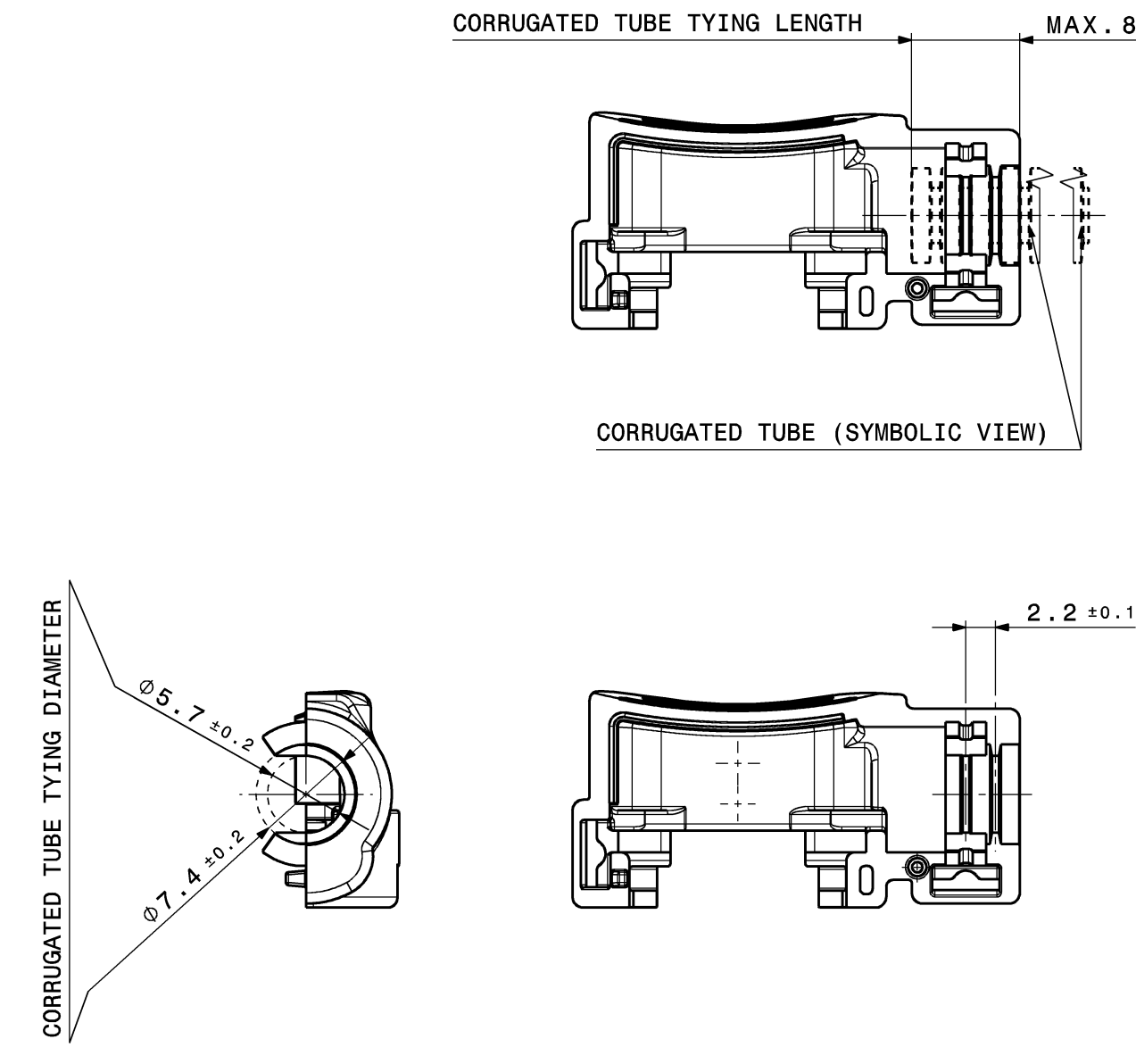
ISOMETRIC VIEW\*

\*CLOSED VIEW; DOES NOT CORRESPOND TO THE DELIVERY STATUS.



MOUNTING GEOMETRY FOR CORRUGATED TUBE NW 4.5

HALF-SHELLS VIEW / SYMBOLIC IMAGE



GENERAL TOLERANCES FOR UNTOLERATED DIMENSIONS:

1. ANGLE-DIMENSIONS [°]  
TOLERANCE FOR ALL ANGLE-DIMENSIONS: ±2°

2. RADII: [mm]

bis 1	1-3	3-10	10-20	20-30	30-50
±0.2	±0.3	±0.4	±0.5	±1	±2

3. DISTANCE-DIMENSIONS: DIN 2768-mH

4. GENERAL TOLERANCE FOR SYMMETRY: 0.2

KEY-FACTS:

TEMPERATURE AREA ACC LV124 2013-02	TEMPERATURE COLLECTIVE 4
FLAME RESISTANCE ACC UL94 (ACC. DATA SHEET)	HB

COMMENTS:

- EDITION AXIAL AND 90° IS SHOWN
- DELIVERY STATUS AS DRAWN AS BULK GOOD.
- ENGLISH TEXT IS VALID
- MISSING DIMENSIONS SEE CAD-MODEL. THEREFORE THE GENERAL-TOLERANCES ARE VALID
- DESIGN DEVIATIONS COMPARED WITH DETAIL DRAWINGS ARE INSIGNIFICANT. THE DETAIL DRAWINGS ARE VALID.
- PART CORRESPONDS TO EU SCRAP CAR GUIDELINE 2000/53/EG
- CHANGES BASED ON TECHNICAL PROGRESS ARE IN THE DECISION OF THE MANUFACTURER! DETAILS OF IMPLEMENTATION ARE LEFT TO MANUFACTURER.
- MAX. 30% RECLAIM PERMITTED
- PART IDENTIFICATION SIMILAR DIN 1451
- DRAFT ANGLE WITHIN TOLERANCE.
- MAX. SPLIT LINE 0.2
- MAX. BURR 0.3

MARKED AREA: SURFACE STRUCTURE CHANGES (WITHOUT ANY EFFECT ON THE FUNCTIONALITY) ARE POSSIBLE, ESPECIALLY AFTER MOUNTING.

707-133-501	A	PA6	90°	-2.3	BLACK SIMILAR RAL9005	3way 1.2 Protective Cap 90° NW4.5	805-121-...00 3way 1.2 SealStar F Connector 872-858-...00 3way 1.2 SealStar F Connector 806-881-...00 3way 1.2 SealStar HMK F Connector 805-198-...00 2way 2.8 SealStar F Connector	3x 1mm <sup>2</sup> 3x 1mm <sup>2</sup> 3x 1mm <sup>2</sup> 1x 2.5mm <sup>2</sup> / 1x 1.5mm <sup>2</sup>
707-132-501	A		AXIAL	-2.2	BLACK SIMILAR RAL9005	3way 1.2 Protective Cap Axial NW4.5		

PART NUMBER:	REVISION:	MATERIAL:	EDITION:	WEIGHT (g)	COLOR:	COMMENT:	MATCHING HIRSCHMANN CONNECTOR	Max. Assignment Cable type FLR
HIRSCHMANN AUTOMOTIVE								

00	Ersterstellung / Initial edition	06.05.2020	BK1
Version	Sub. nr	Description of alteration	Date
Test instructions			
Crude state	Material according drawing	Final state	Gross weight g/pc Final weight g/pc
Material-Nr. / No.	Tolerances according drawing	Surface	Scrap
Edges	DIN ISO 13715	Dimensions in millimeters	Scale 2:1
Geometric tolerances	DIN ISO 1101	CDI	CAD System / Version CATIA V5
Drawn	06.05.2020	B.Kiechle	Title 3way SealStar Protective Cap NW 4.5
Checked	28.05.2020	M.Kalib	Type
Released	28.05.2020	M.Kalib	Sheet 1 of 1
Origin	Replacement	Drawing - No.	707-132-...00
Origin	Replacement	Sheet	1 of 1

This material contains information protected by copyright. Any reproduction or translation into another language without the prior written consent of Hirschmann is prohibited.

Pic from: DBSCHOF on 26.04.2021 Doc-Vers. 00 Valid until: 20200528 Valid until: ... Status: Kundenfreigebe