

PLUG SOCKET HPS40-2 2+2WAY
 HA NO.: SEE TABLE
 SEE HA DRAWING: 807-652-...00

PLASTIC HOUSING

SHIELD CONTACT SLEEVE
 SURFACE: Ag

PRESS IN SOCKETS

AXIAL SEAL

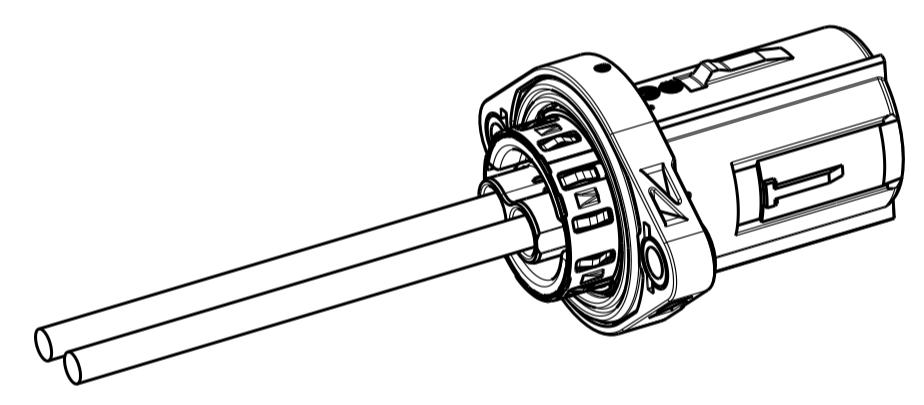
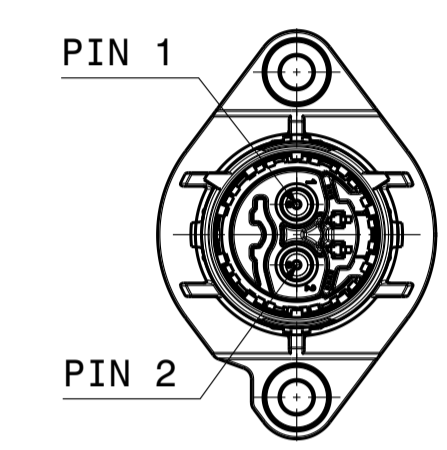
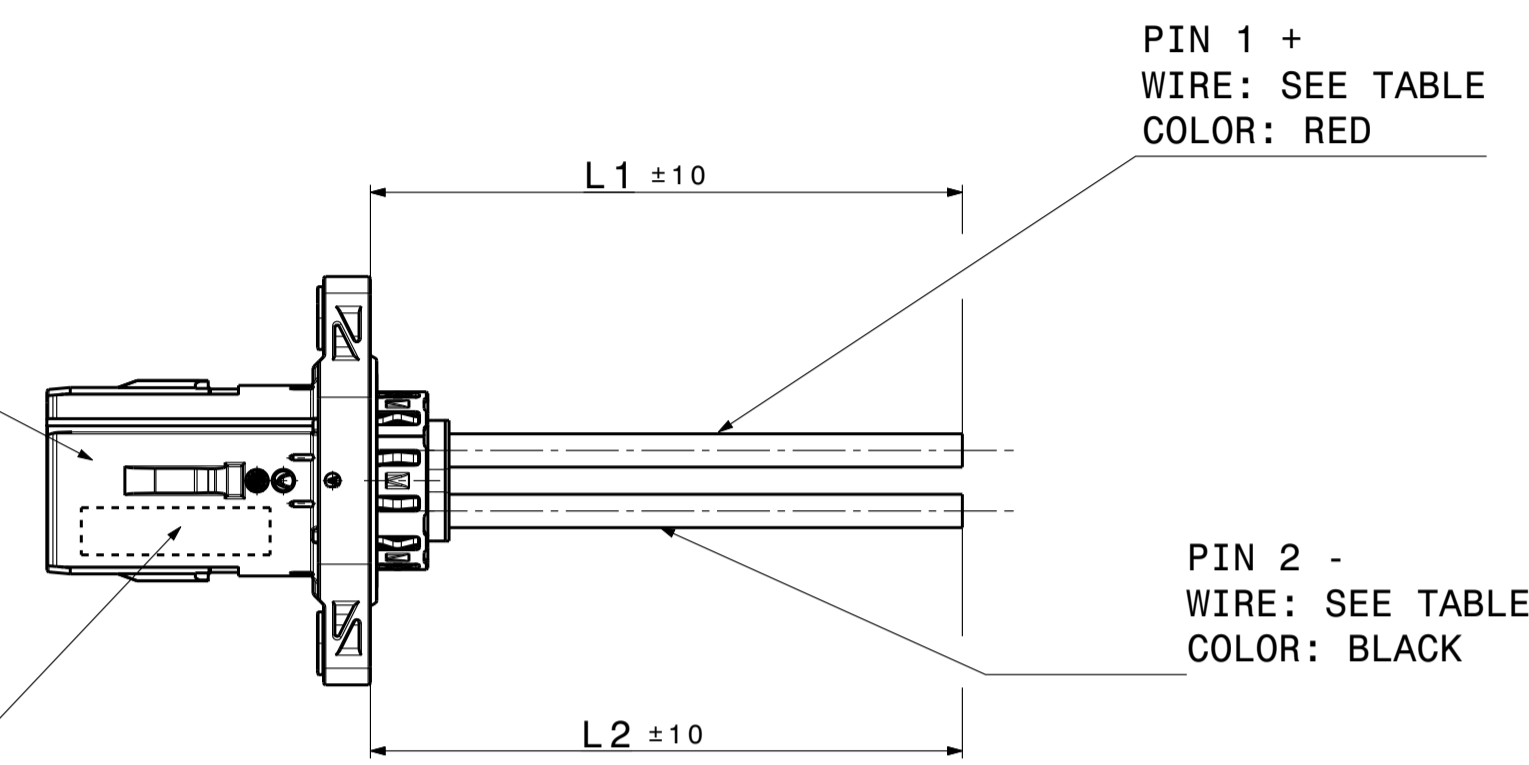
MALE CONTACT HOLDER 2+2 WAY

SECONDARY LOCK

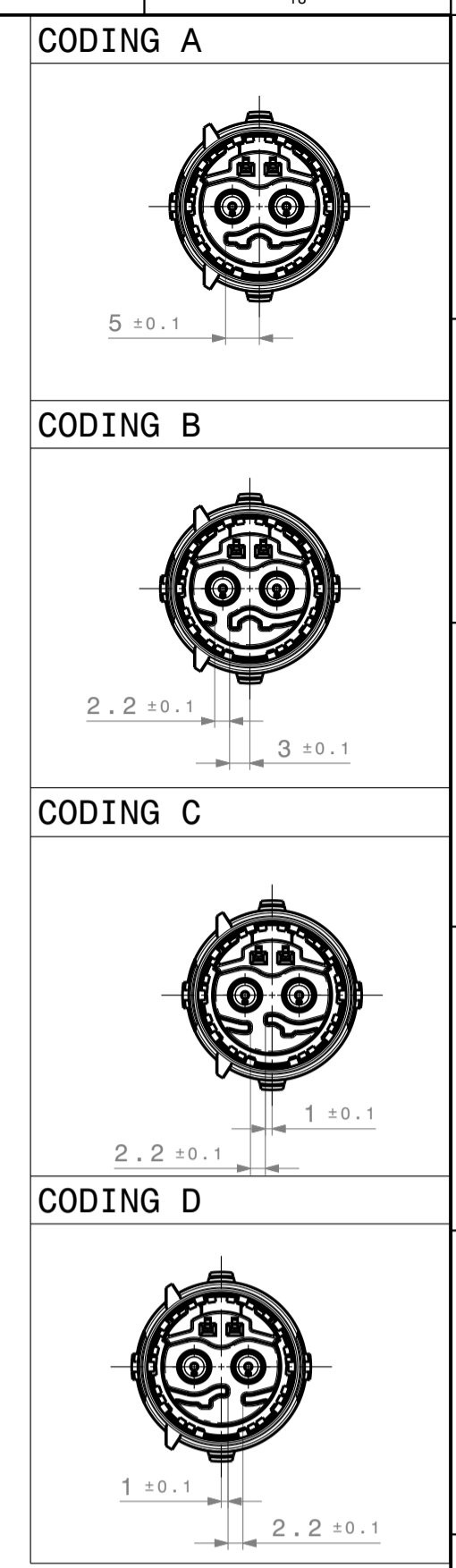
HV TERMINAL 4mm
 HCT 4 short
 SURFACE: Ag

TRANSPORTATION CAP

Optional:
 HA interner Datamatrix Code
 OPTIONAL:
 HA INTERNAL DATAMATRIX CODE



ISOMETRIC VIEW
 SCALE 1:1



PART NUMBER	CODING	L1	L2	CROSS SECTION	Type
908-113-124	D			2,5 mm ²	Leoni FHL2G
908-113-123	C				
908-113-122	B				
908-113-121	A				
908-113-114	D			4 mm ²	
908-113-113	C				
908-113-112	B				
908-113-111	A				
908-113-104	D			6 mm ²	
908-113-103	C				
908-113-102	B				
908-113-101	A				
908-113-022	B			2,5mm ²	
908-113-021	A				
908-113-012	B				4mm ²
908-113-011	A				
908-113-002	B			6mm ²	
908-113-001	A				

SC3

100% ELECTRIC TEST
 100% CONTINUITY TEST
 INSULATION RESISTANCE 3000Vac BETWEEN HIGH VOLTAGE CONTACTS AND HIGH VOLTAGE CONTACT TO THE SHIELDING.
 QUERY CODING

GENERAL TOLERANCES FOR UNTOLERATED DIMENSIONS:

- ANGLE-DIMENSIONS [°]
 TOLERANCE FOR ALL ANGLE-DIMENSIONS: ±2°
- RADII: [mm]

till	1	1-3	3-10	10-20	20-30	30-50
	±0.2	±0.3	±0.4	±0.5	±1	±2
- DISTANCE-DIMENSIONS: DIN 2768-mH
- GENERAL TOLERANCE FOR SYMMETRY: $\begin{smallmatrix} \text{---} \\ \text{---} \end{smallmatrix} \pm 0.2$

- COMMENTS:
- ENGLISH TEXT IS VALID
 - DESIGN DEVIATIONS COMPARED WITH SINGLE PART DRAWINGS ARE INSIGNIFICANT. THE SINGLE PART DRAWINGS ARE VALID.
 - ILLUSTRATED DIMENSIONS HAVE TO BE MEASURED IN EXTENDED CONDITION.
 - PART CORRESPONDS TO SCRAP CAR GUIDELINE 2000/53/EG
 - CHANGES BASED ON TECHNICAL PROGRESS ARE IN THE DECISION OF THE MANUFACTURER! DETAILS OF IMPLEMENTATION ARE LEFT TO MANUFACTURER.
 - 100% ELECTRICAL CONTINUITY TEST (EOL)
 - CODING A IS DRAWN
 - PACKAGING: SINGLE PACKED IN AIR BUBBLE BAG

VERSION ANZAHL	DESCRIPTION OF CHANGE	DATE	DRAWER
03	1	18.01.2024	RRA
02	1	17.05.2023	CBL
01	ADDED SERIES INDICES AND DELETED SPP INDICES;	20.12.2022	SKU
00	Initial Edition	16.04.2020	ASC

DESIGNING IN CHARGE	TOLERANCES ACCORDING DRAWING	TITLE / BENENNUNG	CATIA V5
DRAWN	TOLERANCES NACH ZEICHNUNG	HPS40-0-2 2+2 male connector 180° wire	SCALE / MSTB
CHECKED	GENERAL TOLERANCES: DIN ISO 8015		1:1
RELEASED	GEOMETRIC TOLERANCES: DIN ISO 1101	SUBTITLE / ZUSATZ TEXT	FORMAT
			A1
		DRAWING NO. / ZEICHNUNGSNUMMER	908-113-...00
		SHEET / BLATT	1/1

This material contains information protected by copyright. Any reproduction or translation into another language without the prior written consent of the copyright holder is prohibited.

Plot from: TMATER on 07.10.2024 Doc.Vers. 03 Valid from: 2024/01/26 Valid until: ... Status: Kundenfreigabe