

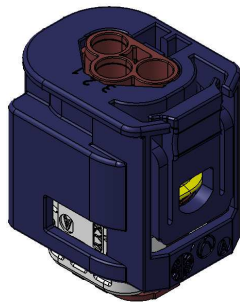


0.63 SealStar® F Connector

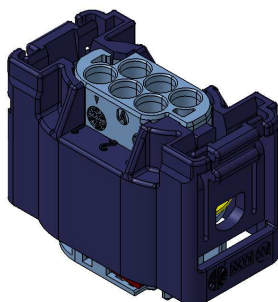
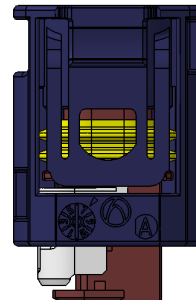
Symbolic images



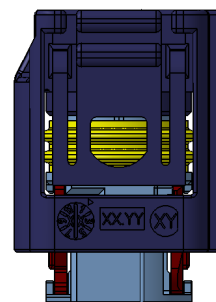
2-way



3-way



6-way





1. Index

1. Index.....	2
2. General Information.....	3
2.1 Introduction.....	3
2.2 Applying relevant Information / Documentation.....	3
3. Delivery Condition / Product Components.....	4
3.1 Delivery Condition.....	4
4. Usable contacts.....	5
5. Assembling and disassembling of contacts.....	5
5.1 Assembling of contacts.....	5
5.1.1 Primary locking mechanism.....	5
5.1.2 Secondary locking mechanism.....	6
5.1.2.1 2-Way.....	6
5.1.2.2 3-Way.....	6
5.1.2.3 6-way.....	7
5.2 Demounting of the contacts.....	8
5.2.1 Secondary lock.....	8
5.2.1.1 2-way.....	8
5.2.1.2 3-way.....	8
5.2.1.3 6-Way.....	9
5.2.2 Primary locking mechanism.....	10
6. Connection and disconnection of the connectors.....	11
6.1 Connect the housing.....	11
6.2 Disconnect the housing.....	12
7. Index change table.....	12

2. General Information

2.1 Introduction

This handling manual describes the delivery condition / product structure, the individual components as well as the assembly and disassembly of the connector and terminals.

Based on the processing specification of contact suppliers the contact assembling and disassembling is described.

The harness maker is responsible to follow all processing specification and other relevant rules and regulations.

In case of inappropriate/incorrect assembly a damage claim will be rejected.

2.2 Applying relevant Information / Documentation

a)	Product Specification EPS-100103-00	0.63 SealStar® F Connector
b)	Product Specification 108-18030	Firma Tyco Electronics MQS (Micro Quadlok System) 0.63mm
c)	Processing Specification 114-18025	
d)	Drawing female contact C- 929454	
e)	„Deutsche Norm“ DIN EN 60352-2	solderfree electrical connection part 2: crimp connection
f)	Deutsche Norm DIN EN 60512	Connectors for electronic equipment- Tests and measurements
g)	DIN EN 60529	Degrees of protection provided by enclosures (IP-code)

3. Delivery Condition / Product Components

3.1 Delivery Condition

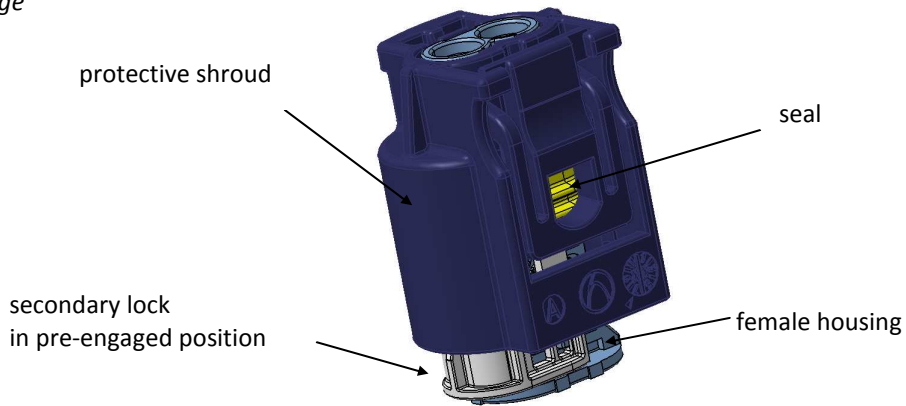
The waterproofed housing consists of female housing, seals , protective shroud and secondary lock. The housing will be delivered in the assembled condition and with the secondary lock in pre-engaged position.

In very rare cases, it may occur that the locking bar moves into final locking position and closes the secondary lock.

In the case of the closed secondary lock, this can be adjusted according to point 5.2 to be returned to the initial state.

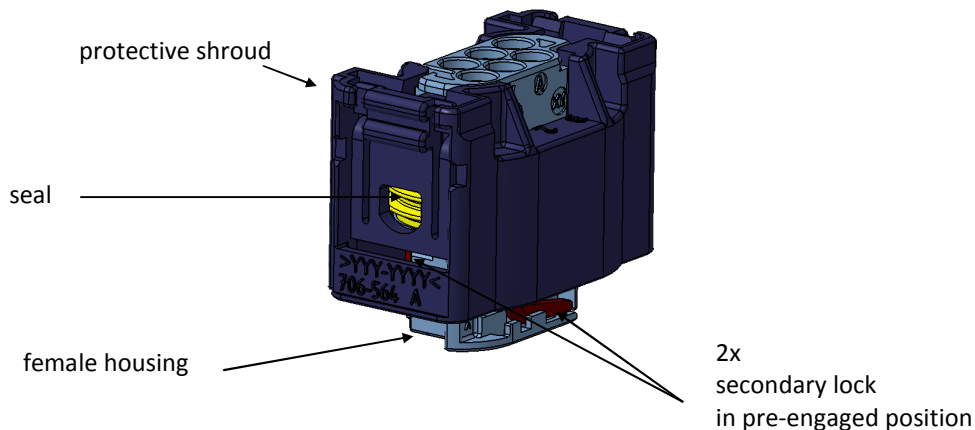
2-way

Symbolic image



6-way

Symbolic image



4. Usable contacts

Contact system:

Micro Quadlock System (MQS) 0.63: Company Tyco Electronics –drawing-no.: C- 929454

To guarantee the required tightness of the system it is absolutely necessary to use all contacts with corresponding seal and in case of reduced contact assembly to close the open chambers with a single wire dummy plug. Exceptions are versions with closed chambers. In these options no seals or dummy plugs are necessary.

5. Assembling and disassembling of contacts

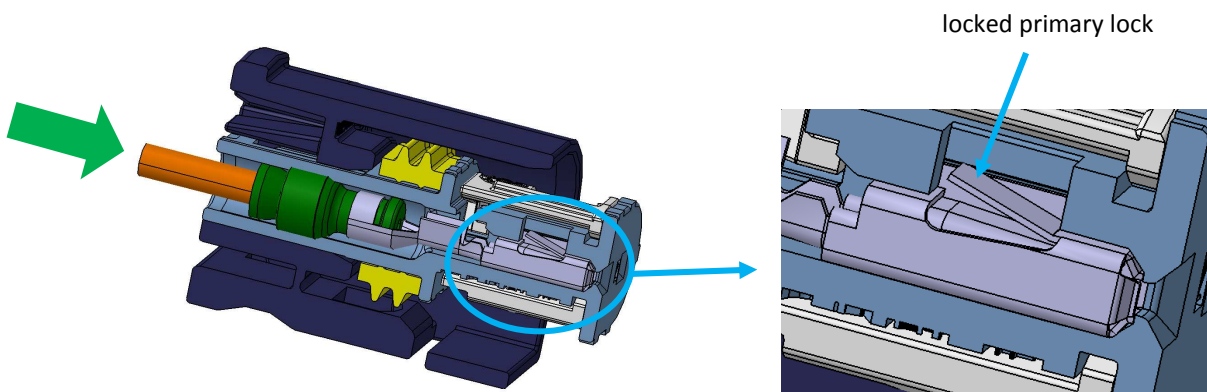
5.1 Assembling of contacts

5.1.1 Primary locking mechanism

The contact housing is delivered ready for assembly. During the assembly the primary locking mechanism engages in the housing.

2-way

Symbolic image



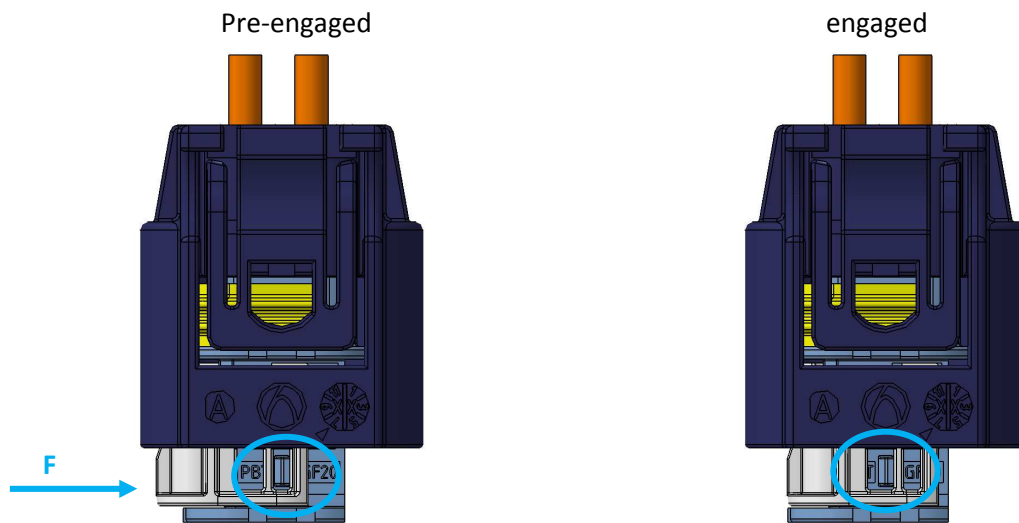
5.1.2 Secondary locking mechanism

After the primary locking mechanism of all contacts are engaged, the secondary locking mechanism can be engaged.

5.1.2.1 2-Way

The secondary lock has to be pushed in shown direction until the hook latches with the contact carrier.

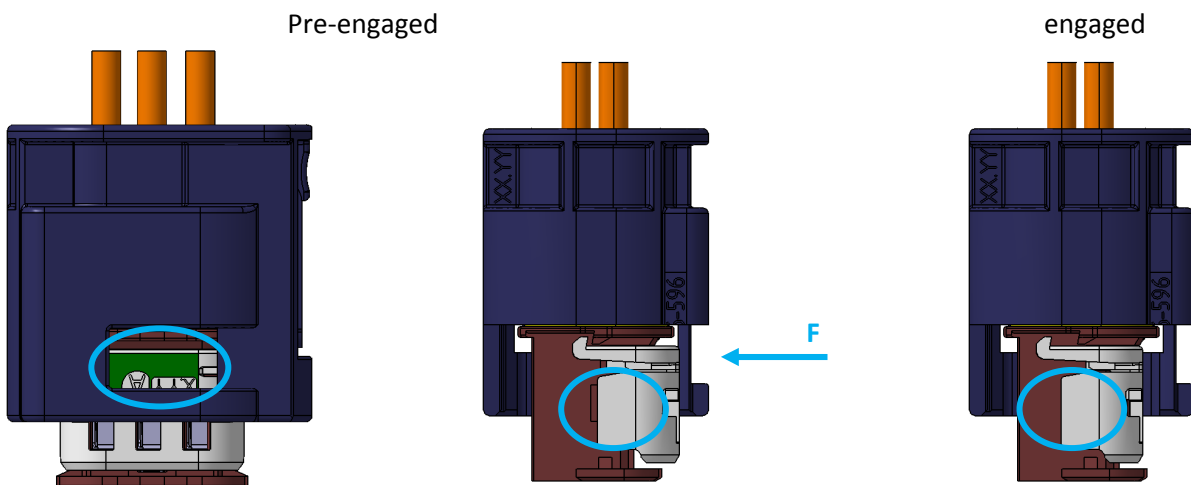
Symbolic image



5.1.2.2 3-Way

The secondary lock has to be pushed in shown direction on the green marked area until both hooks latch with the contact carrier.

Symbolic image

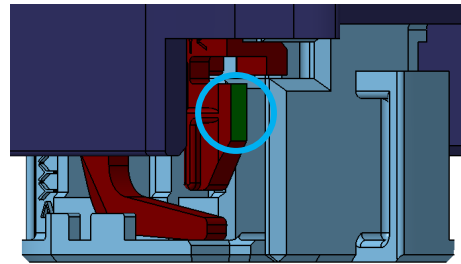
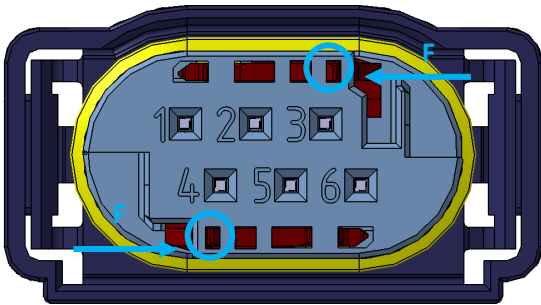


5.1.2.3 6-way

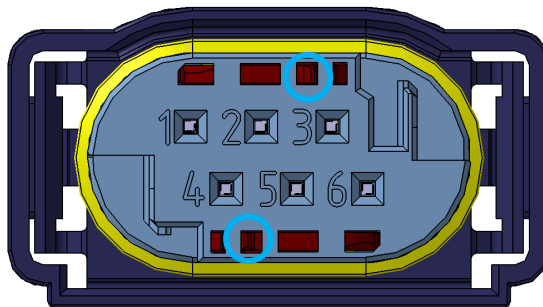
The secondary lock has to be pushed in shown direction on the green marked area until the hook latches with the contact carrier.

Symbolic image

per-engaged



engaged



5.2 Demounting of the contacts

The contacts can be removed for repair. For that you have to perform the following steps.

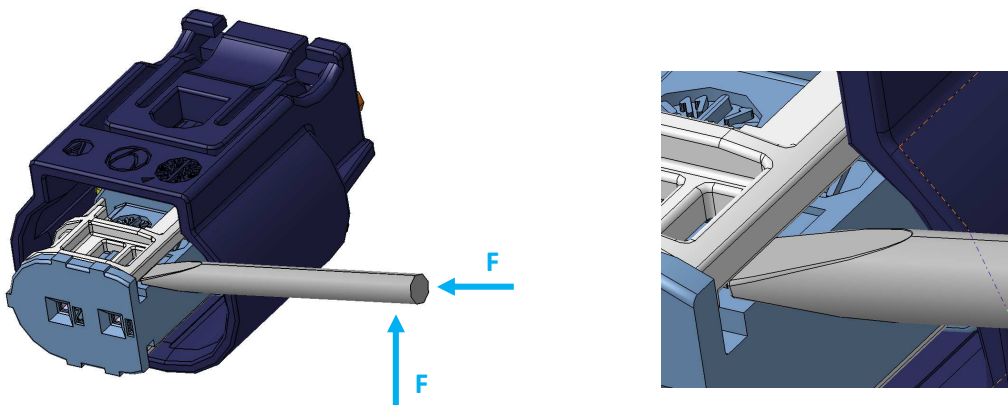
5.2.1 Secondary lock

The Secondary lock has to be put back in pre-engaged position.
Do not bend the latch more than original delivery condition, don't damage the contacts.

5.2.1.1 2-way

The screw has to be fitted between secondary lock and contact carrier and must be pushed to the limit.
Afterwards the secondary lock can be put in pre-engaged position by pushing the screw up.

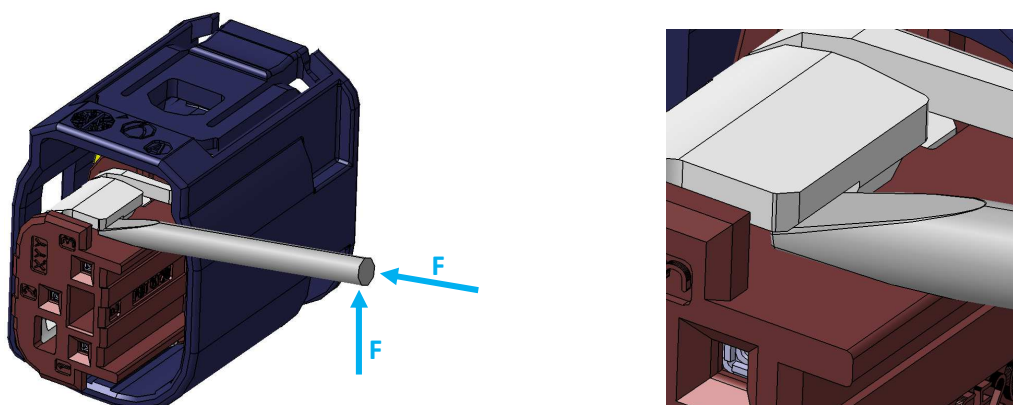
Symbolic image



5.2.1.2 3-way

The Secondary lock has to be levered on both sides.
The screw has to be fitted between secondary lock and contact carrier. Afterwards the secondary lock can be put in pre-engaged position by pushing the screw up

Symbolic image

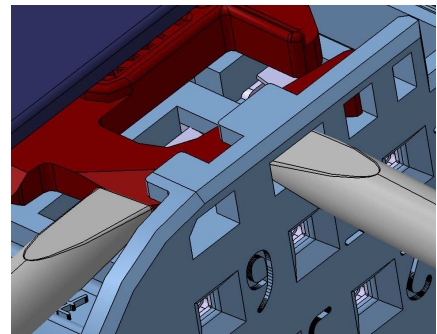
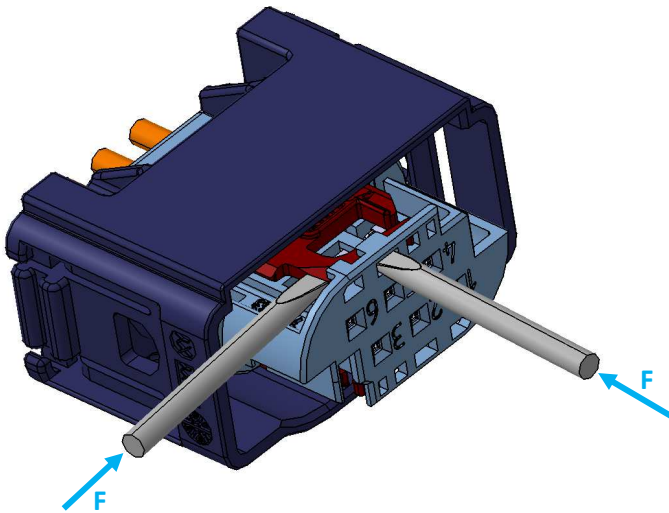


5.2.1.3 6-Way

The unlocking has to be done on both secondary locks.

The secondary locks can be deflected by pushing through the opening of the contact carrier. While pushing through the opening, the secondary lock can be put in pre-engaged position by pushing the secondary lock sideways.

Symbolic image



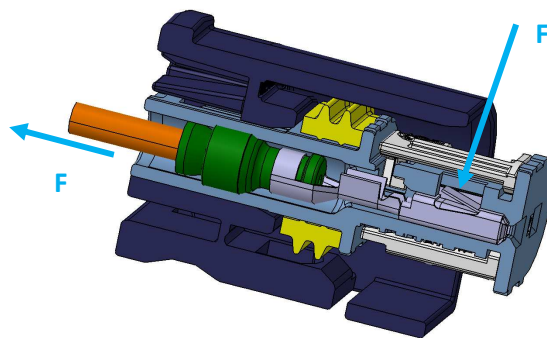
5.2.2 Primary locking mechanism

With pressure on the locking lance the Primary lock can be operated. Afterwards the operated contact can be removed by pulling in cable outgoing direction.

Do not bend the primary lock until plastic deformation, don't damage the contacts.

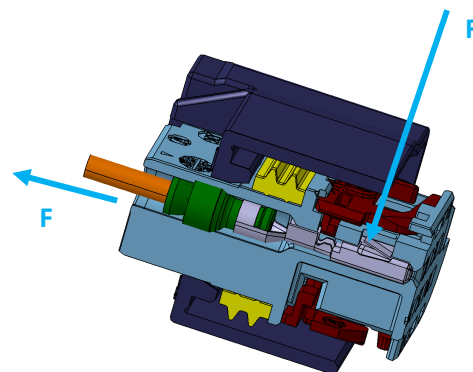
2-way

Symbolic image



6-way

Symbolic image



It is recommended to replace the contacts after disassembly

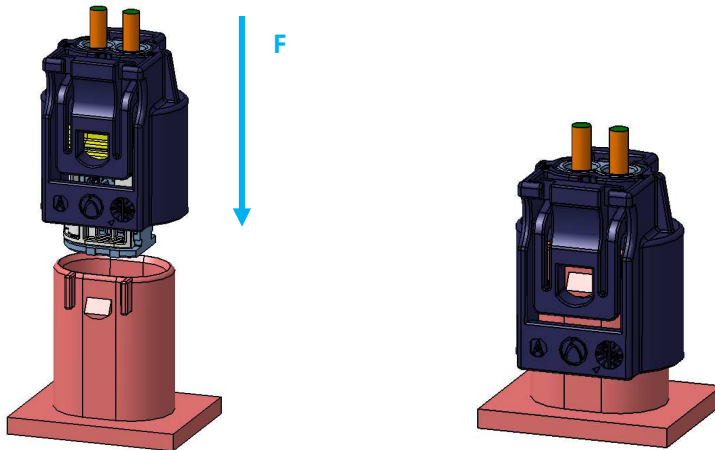
6. Connection and disconnection of the connectors

6.1 Connect the housing

Following the mounting of the contacts, the connector can be completed by the mounting of the housing in a suitable socket. For this the housing has to be insert vertically in a suitable socket until the locking hook is locked (one or two locking hooks depending on housing type).

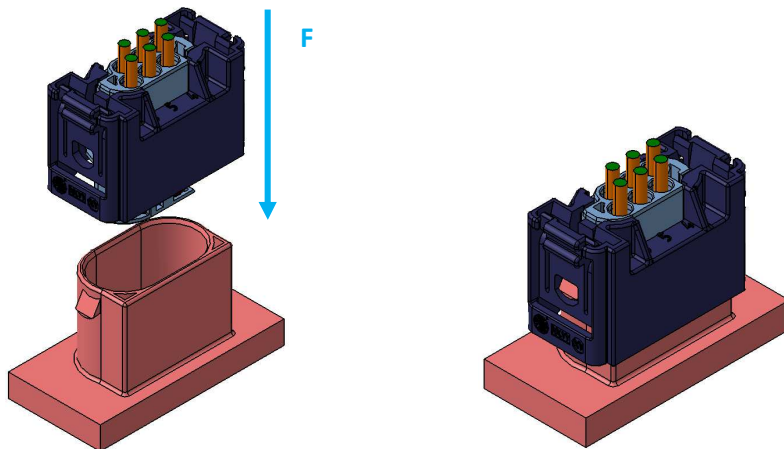
2-way

Symbolic image



6-way

Symbolic image



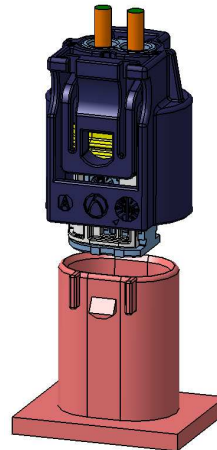
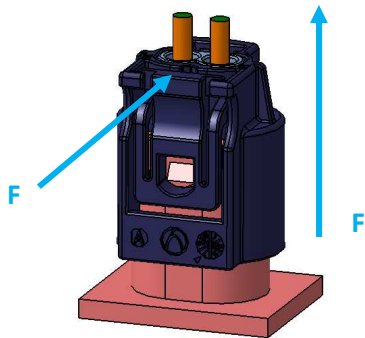
6.2 Disconnect the housing

The housing is held positively in the socket. To release the connector, the engagement hook has to be operated. While the engagement hook is operated the connector can be disassembled by pulling in the direction of the cable outlet.

Remove the housing in no case by pulling on the cable set!

2-way

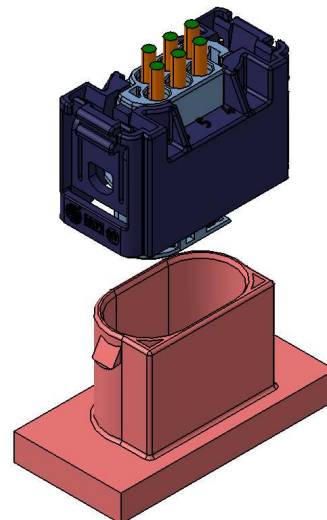
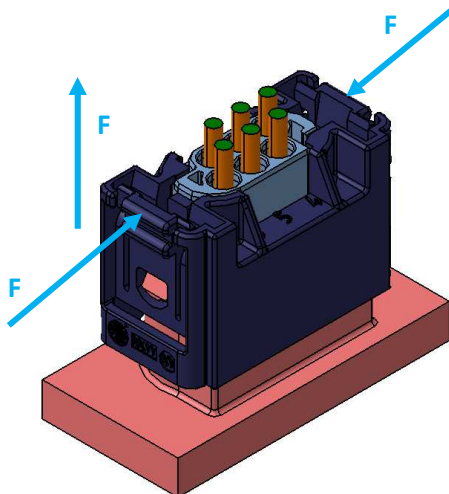
Symbolic image



6-way

In this application there are two engagement hooks, they have to be operated simultaneously.

Symbolic image



7. Index change table

Revision	Index	Editing
00	First edition	Kiechle B