



HISL - Position Sensors

**Extremely robust position sensors
for industrial applications**



**INDUSTRIAL
COMPONENTS**

HISL - Position Sensors

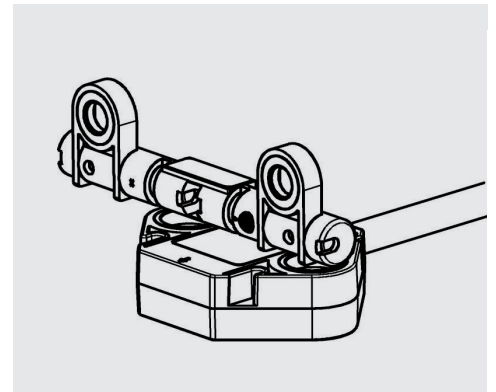
The areas of use for position sensors are becoming increasingly diverse and range from automation technology to energy supply, right through to the aerospace industry. The best measurement results are achieved in combination with the specially developed Hirschmann Industrial Components magnet. Its magnetic field is recorded by the sensor and outputted in a linear voltage signal according to its longitudinal movement.

Properties:

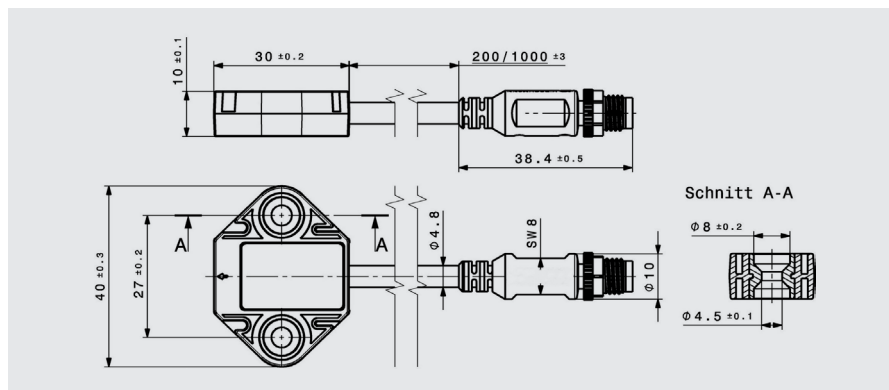
- Contact-less and wear-free travel/position sensors for various industrial applications
- Variants with different detection sides available which offers a wide range of installation possibilities
- Extremely robust design for the harshest environments
- Brass screw-on bushings on magnet and sensor – for durable bolted connections
- Sheathed cable for critical assembly areas
- Variants for voltage ranges from 5 V to 36 V are available
- High tolerances against alignment errors
- EMC / ESD protected
- Measurement is possible through non-magnetic walls
- Customised designs upon request (e.g. connector, magnets, programming etc.)

Technical data:

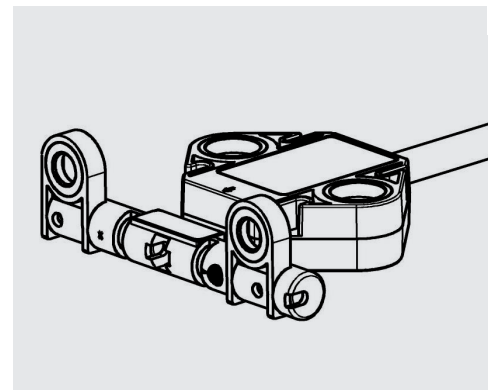
Measuring range	40 mm
Connection interface	M8x1 connector or open cable end
Maximum air gap	5.2 mm
Maximum offset magnet to sensor	2 mm
Protection class	IP6K9K
Operating temperature	-40 °C to 125 °C
Cable lengths	200 mm or 1000 mm
Supply voltage	4.5 V to 5.5 V or 9 V to 36 V



Installation position face side



Dimensions



Installation position length side

Hirschmann Industrial Components
 Oberer Paspelsweg 6-8
 6830 Rankweil, Austria
 Sven Capelli
 T +43 (0)5522 307 325
 M +43 (0)664 1916 657
 sven.capelli@hirschmann-automotive.com
 www.hirschmann-automotive.com