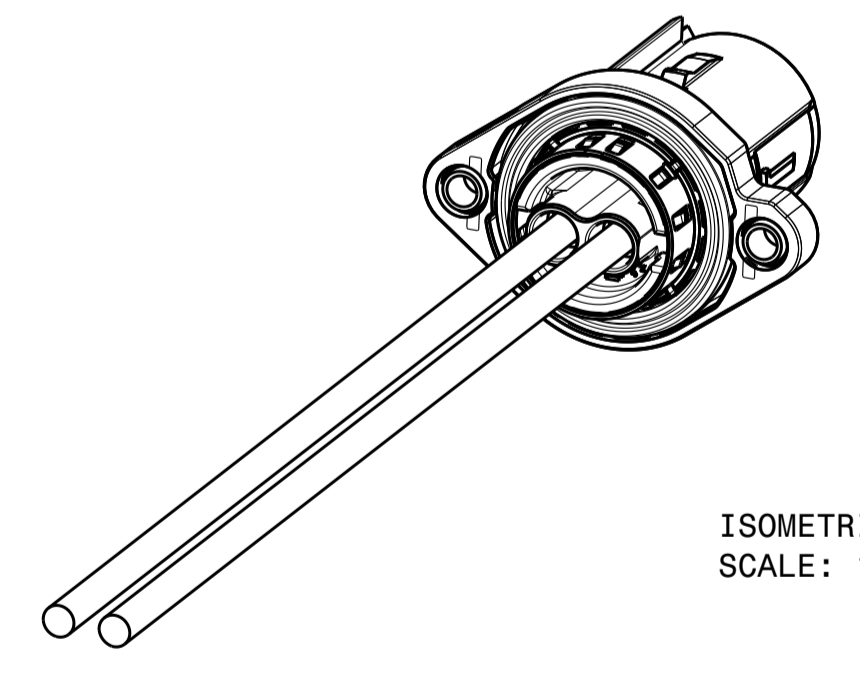
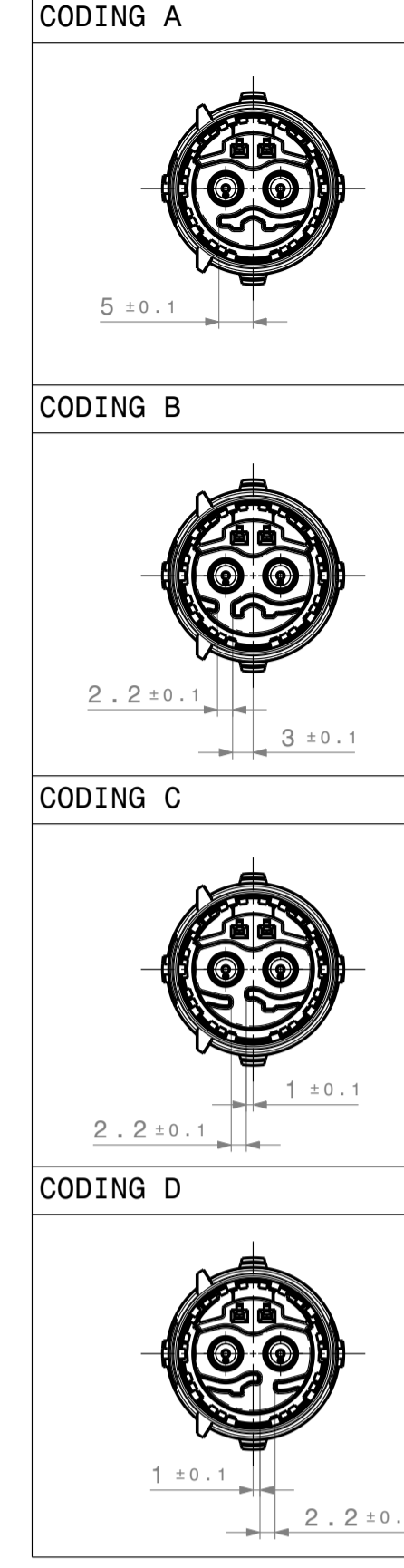
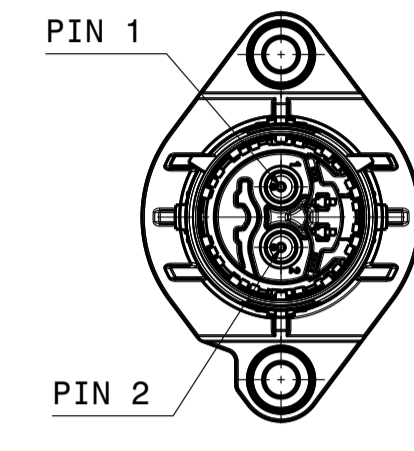
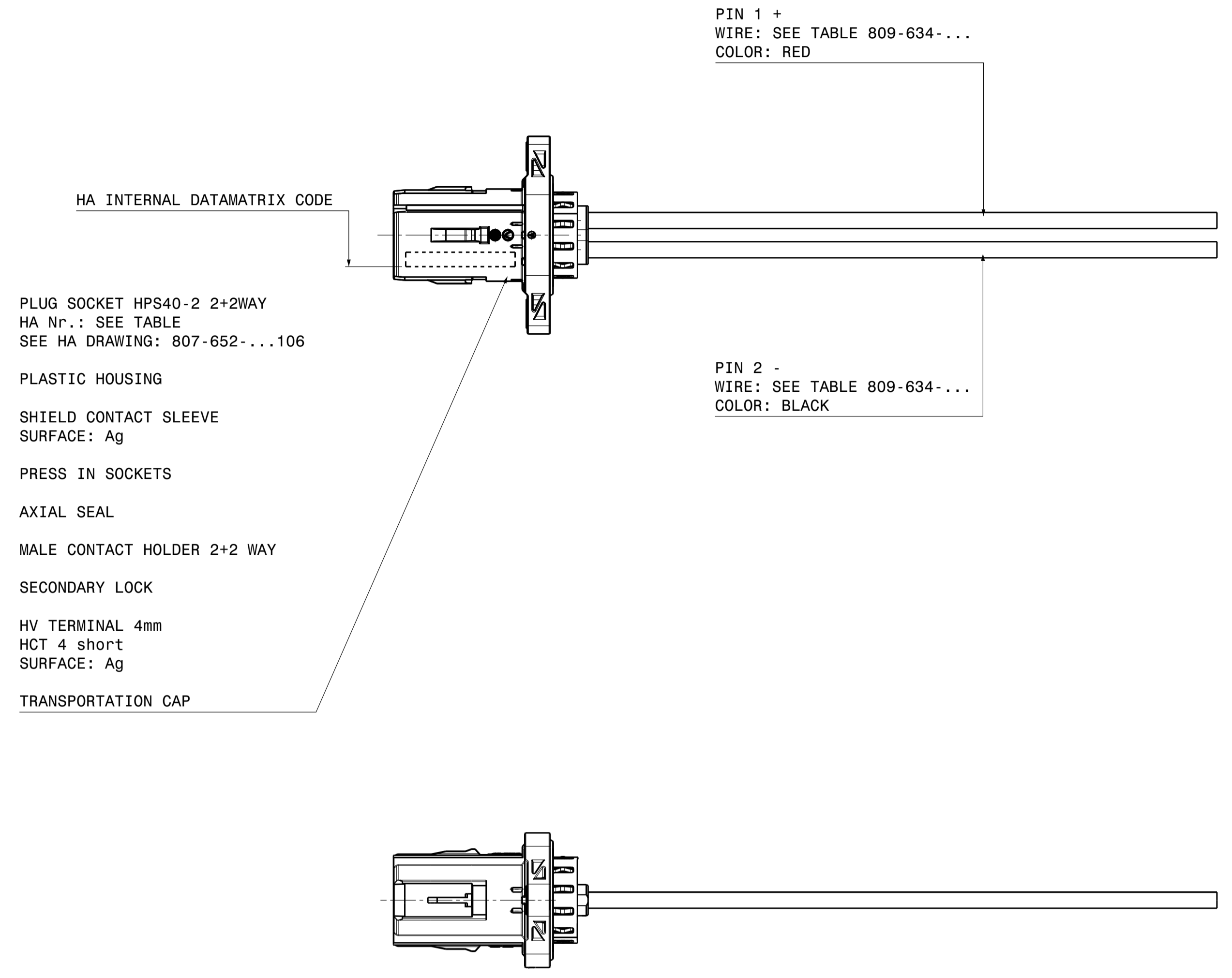


PART NUMBER	CODING	L1	L2	CROSS SECTION	Type	SUBASSEMBLY
908-250-124	D	1500	2,5mm <sup>2</sup>	Leoni FHL2G	809-634-124	
908-250-123	C				809-634-123	
908-250-122	B				809-634-122	
908-250-121	A				809-634-121	
908-250-114	D				809-634-114	
908-250-113	C		809-634-113			
908-250-112	B		809-634-112			
908-250-111	A		809-634-111			
908-250-104	D		809-634-104			
908-250-103	C		809-634-103			
908-250-102	B	6mm <sup>2</sup>	809-634-102			
908-250-101	A		809-634-101			
908-250-022	B		500	809-634-022		
908-250-021	A			809-634-021		
908-250-012	B			809-634-012		
908-250-011	A	809-634-011				
908-250-002	B	6mm <sup>2</sup>		809-634-002		
908-250-001	A		809-634-001			



ISOMETRIC VIEW  
SCALE: 1:1

100% ELECTRIC TEST  
100% CONTINUITY TEST  
INSULATION RESISTANCE 3000Vac BETWEEN HIGH VOLTAGE CONTACTS AND HIGH VOLTAGE CONTACT TO THE SHIELDING.  
QUERY CODING



GENERAL TOLERANCES FOR UNTOLERATED DIMENSIONS:  
1. ANGLE-DIMENSIONS [°]  
TOLERANCE FOR ALL ANGLE-DIMENSIONS: ±2°  
2. RADII: [mm]

till 1	1-3	3-10	10-20	20-30	30-50
±0.2	±0.3	±0.4	±0.5	±1	±2

3. DISTANCE-DIMENSIONS: DIN 2768-mH  
4. GENERAL TOLERANCE FOR SYMMETRY: ±0.2

COMMENTS:  
1. ENGLISH TEXT IS VALID  
2. DESIGN DEVIATIONS COMPARED WITH SINGLE PART DRAWINGS ARE INSIGNIFICANT. THE SINGLE PART DRAWINGS ARE VALID.  
3. ILLUSTRATED DIMENSIONS HAVE TO BE MEASURED IN EXTENDED CONDITION.  
4. PART CORRESPONDS TO SCRAP CAR GUIDELINE 2000/53/EG  
5. CHANGES BASED ON TECHNICAL PROGRESS ARE IN THE DECISION OF THE MANUFACTURER! DETAILS OF IMPLEMENTATION ARE LEFT TO MANUFACTURER.  
6. 100% ELECTRICAL CONTINUITY TEST (EOL)  
7. CODING A IS DRAWN  
8. PACKAGING: SINGLE PACKED IN AIR BUBBLE BAG

00	Ersterstellung / Initial edition	27.02.2023	SKU
DESCRIPTION OF CHANGE / AENDERUNGSBESCHREIBUNG		DATE / DATUM	DRAWER / ZEICHN.
TOLERANCES ACCORDING DRAWING / TOLERANZEN NACH ZEICHNUNG		TITLE / BENENNUNG	
HPS40-2 2+2 male connector 180° wire		CATIA V5	
SCALE / MASTB		1:1	
SUBTITLE / ZUSATZ TEXT		FORMAT	
		A1	
DRAWING NO. / ZEICHNUNGSNUMMER		908-250-...00	
SHEET / BLATT		1/1	

This material contains information protected by copyright. It is not to be reproduced or translated into another language without the prior written consent of Hirschmann Automotive AG.

Plot from: T:\MATER on 10.03.2023 Doc.Vers. 00 Valid until: ... Status: Kundenfragebe