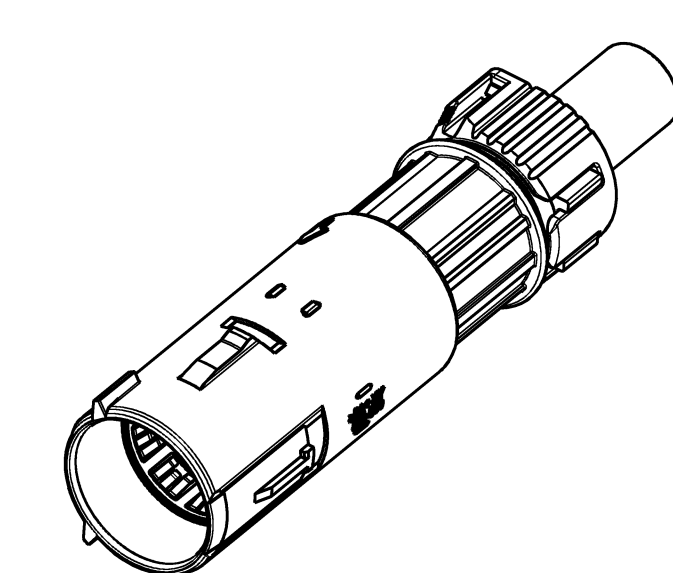
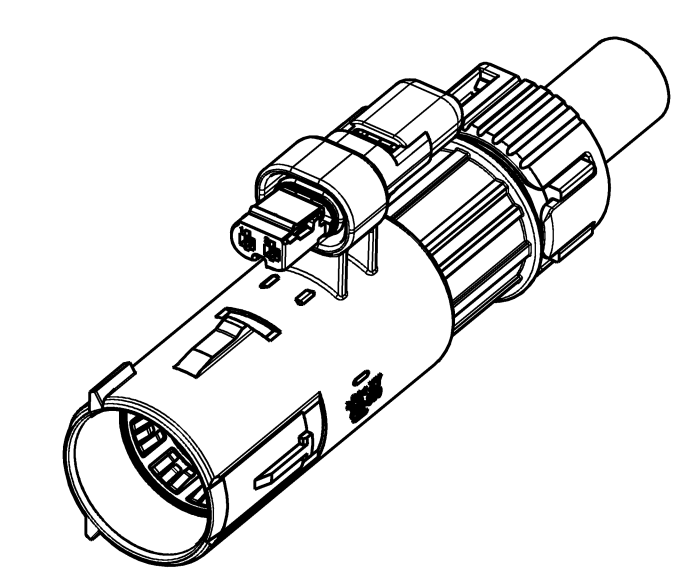
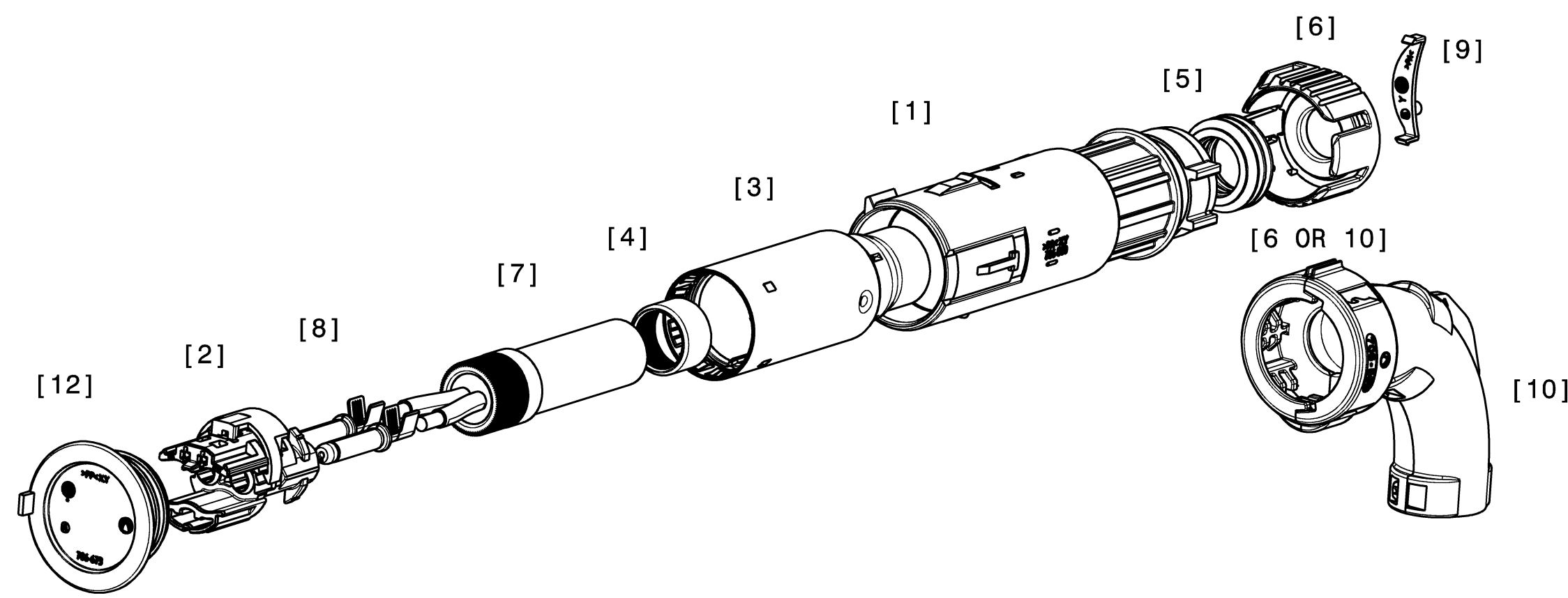
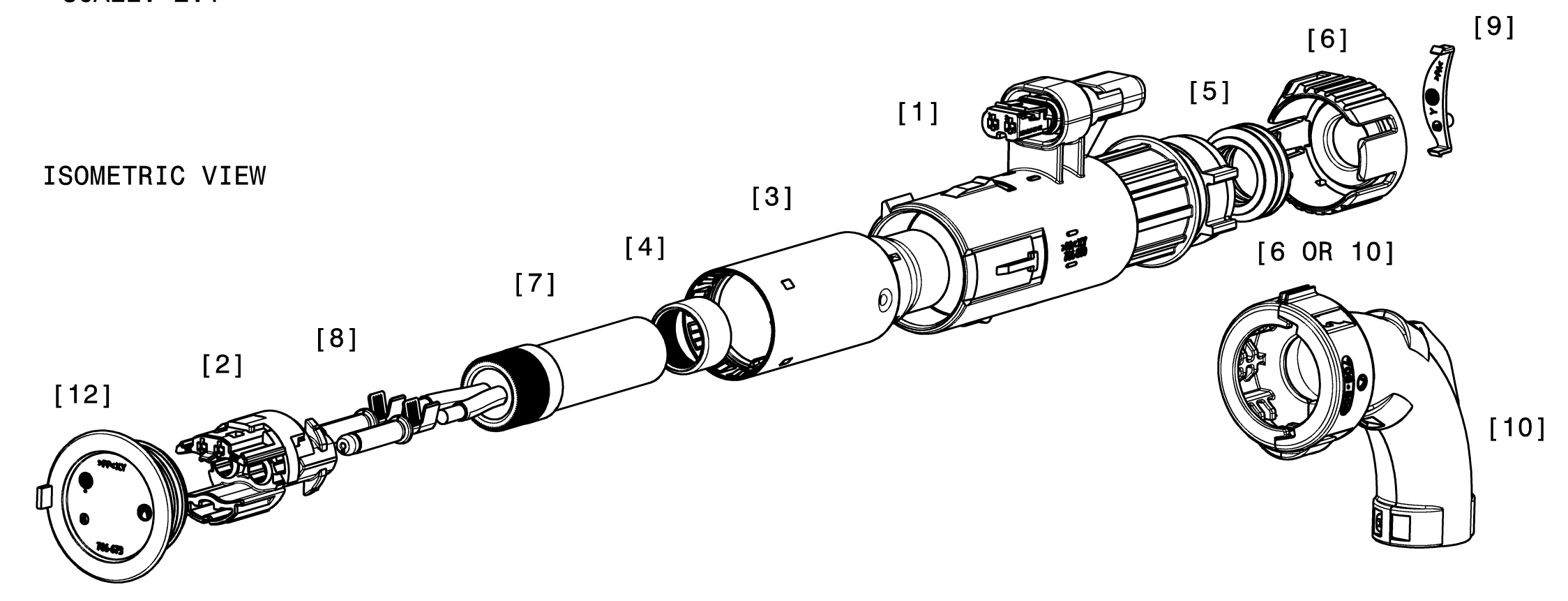
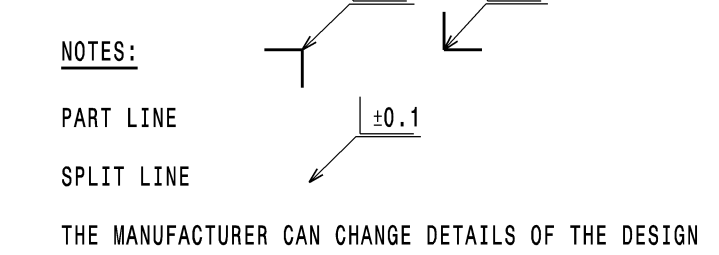


SECTION CUT A-A
SCALE: 2:1

ISOMETRIC VIEW



TOLERANCES FOR UNTOLERATED DIMENSIONS:
1. ANGLE-DIMENSIONS (IN °):
TOLERANCE FOR ALL ANGLE-DIMENSIONS: ±2°
2. RADII: (IN mm)
R1-R3: ±0.1
R4-R10: ±0.2
R11-R20: ±0.3
R21-R30: ±0.5
3. DISTANCE-DIMENSIONS:
DIN 2768-mH
4. GENERAL TOLERANCE FOR SYMMETRY: ±0.2



FLAME RESISTANCE TO UL94: HB
(ACCORDING TO MATERIAL DATA SHEET OF USED PLASTIC MATERIAL)
CODING A (OPTION 1) DRAWN.
DELIVERY STATUS: SEE SINGLE PART DRAWINGS.
CHANGES ONLY WITH APPROVAL OF RELEASING DEPARTMENT.
CHANGES BASED ON TECHNICAL PROGRESS ARE IN THE DECISION OF THE MANUFACTURER!

DIMENSIONS GIVEN ON DETAIL DRAWING ARE VALID, DIMENSIONS OR ILLUSTRATIONS WHICH ARE DIFFERENT FROM DETAIL DRAWING CAN BE IGNORED.
DIMENSIONS MARKED WITH () ARE DOCUMENTED IN THE INITIAL SAMPLE INSPECTION REPORT (ISIR)
UNDIMENSIONED RAD=0.3 ±0.1mm
ALLOWABLE AMBIANT TEMPERATURE RANGE: -40°C TILL 140°C WITHIN A TIME RANGE OF 8000h,
THE SPECIFIC CHARACTERISTIC CHANGES OF THE PLASTIC ACC. PLASTIC DATA SHEET
MAXIMUM DIAMETER OF THE MULTI CORE WIRE: 12,8mm

FIELD OF APPLICATION HIGH-VOLTAGE
THE SPECIFIED VALUES WERE DERIVED FROM THE SPECIFIED TEST METHOD (LV214 2010-05 AND LV215 2013-05). DETAILS SEE PRODUCT SPECIFICATION (EPS-100096)

Pos.		SUPPLIER NUMBER
8	MATCHING HV MALE CONTACTS	709-633-...00
9	MATCHING CODING CLIP OPTIONAL	706-505-...00
12	MATCHING PROTECTIVE CAP OPTIONAL	706-673-...00
	ACC. TO AV	808-279-...00
	MATCHING TO ZB FEMALE HOUSING HPS40-2 2+2PIN.	807-655-...00
	PRODUCT AND PROCESSING SPECIFICATION BY HIRSCHMANN	EPS-100137 EVS-100113

ADDITION ORDER, ACCORDING TO CABLE CROSS SECTION AND WIRE MANUFACTURER			
7	VALIDATED HV WIRE	FA. KROSCHU FHLR2G2CB2G	64997293
		64996918	64995979 (70°) 64997213 (58°)
		FA. LEONI FHLR2G2CB2G	00001
		00002	00003
WIRE CROSS SECTION	9-2641	9-2641	9-2641
	2x 2,50 qmm	2x 4,00 qmm	2x 6,00 qmm
	4	CONTACT SLEEVE	HA DRW. NO. 709-841-...00 WEIGHT 3,6g
5	SINGLE-WIRE SEAL	HA DRW. NO. 709-113-...00 WEIGHT 1,5g	
6	PROTECTION CAP	HA DRW. NO. 706-430-...00 WEIGHT 2,7g	
10	ANGLE CAP 90DEG INSTEAD OF PROTECTION CAP [6]	HA DRW. NO. 706-506-...00 WEIGHT 9g	

SYSTEM OVERVIEW			TABLE OF INDIVIDUAL PARTS HPS IN-LINE										
809-999-508	A	D	HPS IN-LINE CONNECTOR	40,85g	810-000-...00	HPS IN-LINE CONNECTOR WITHOUT HVIL	16,5g	HPS IN-LINE CONNECTOR CONTACT CARRIER COD. D	PURPLE, SIMILAR RAL 4004	5,3g	810-001-...00	HPS IN-LINE INSERTING PARTS	13,2g
809-999-507	A	C						HPS IN-LINE CONNECTOR CONTACT CARRIER COD. C	BLUE, SIMILAR RAL 5012				
809-999-506	A	B						HPS IN-LINE CONNECTOR CONTACT CARRIER COD. B	NATURE/WHITE, SIMILAR RAL 9001				
809-999-505	A	A						HPS IN-LINE CONNECTOR CONTACT CARRIER COD. A	BLACK, SIMILAR RAL 9011				
809-999-504	A	D						HPS IN-LINE CONNECTOR CONTACT CARRIER COD. D	PURPLE, SIMILAR RAL 4004				
809-999-503	A	C						HPS IN-LINE CONNECTOR CONTACT CARRIER COD. C	BLUE, SIMILAR RAL 5012				
809-999-502	A	B	HPS IN-LINE CONNECTOR WITH HVIL	18,65g	810-000-...00	HPS IN-LINE CONNECTOR WITH HVIL	16,65g	HPS IN-LINE CONNECTOR CONTACT CARRIER COD. B	NATURE/WHITE, SIMILAR RAL 9001				
809-999-501	A	A						HPS IN-LINE CONNECTOR CONTACT CARRIER COD. A	BLACK, SIMILAR RAL 9011				
HIRSCHMANN ZB NO.HA REV.	CODING	TITLE	WEIGHT	HIRSCHMANN DRAWING NO.	DESCRIPTION	WEIGHT	HIRSCHMANN DRAWING NO.	DESCRIPTION	COLOR	WEIGHT	HIRSCHMANN DRAWING NO.	DESCRIPTION	WEIGHT

Material-No.	Tolerances	EN ISO 8015	Surface	Ø/pt	Ø/pt
HPS IN-LINE CONNECTOR					
Drawing - No. 809-999-...00					